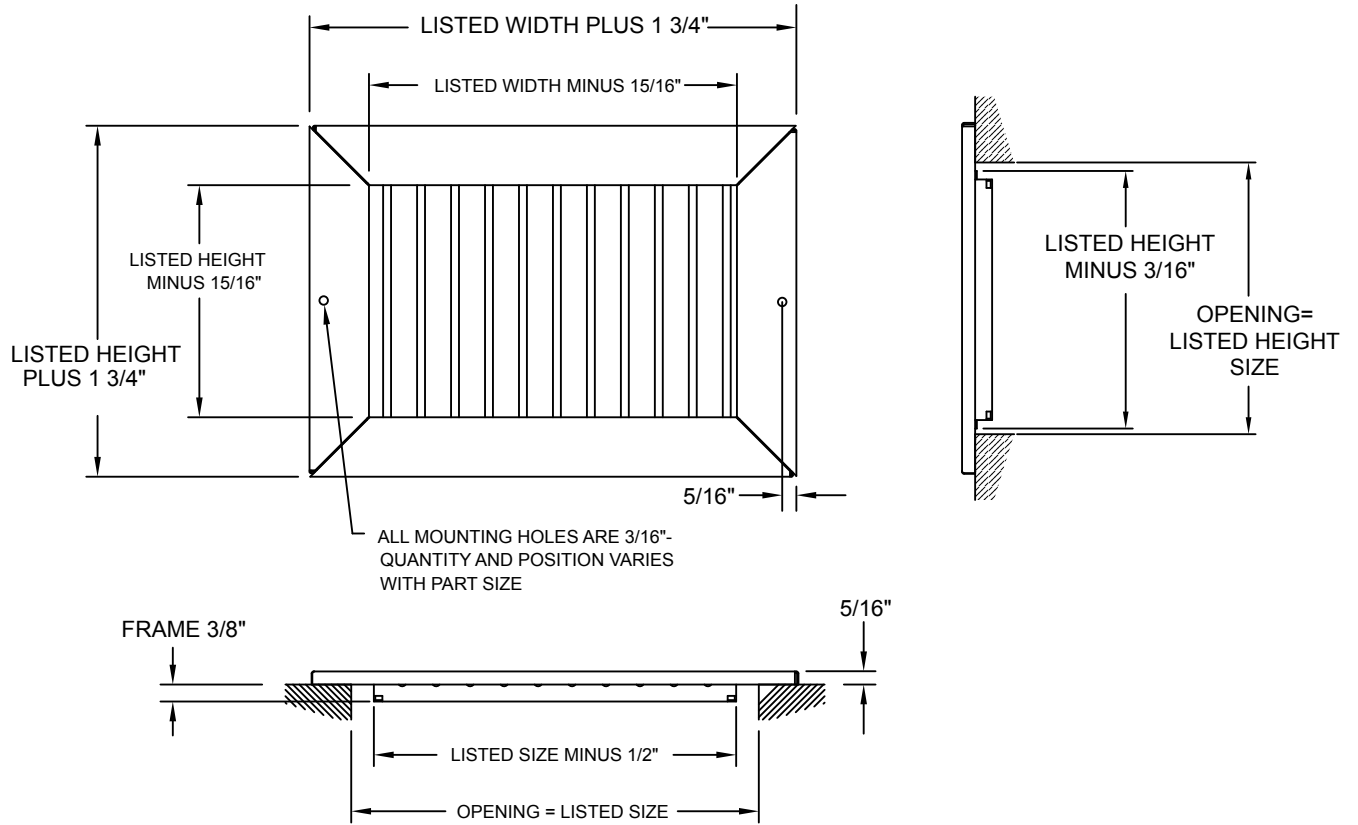




Continental Industries, Inc.  
 100 West Windsor Avenue  
 Elkhart, Indiana 46514  
 Phone: 800.735.5272 • Fax: 574.262.2075  
 Email: info@continentalindustries.com  
 Web: www.continentalindustries.com

# Submittal Drawing & Form



- Description**
- Adjustable, Vertical, Roll-Form Face Bars
  - 3/4" Spacing for Easy Adjustment
  - Single Deflection
  - Aluminum Construction
  - White finish

<b>Project Details</b>	<b>Submitted by:</b>	<b>ARGV Series</b> <b>ARGV</b>
Job Title:		
Location:		
Architect:		
Engineer:		
Contractor:	<b>Date:</b>	<b>SD-ARGV-01</b>