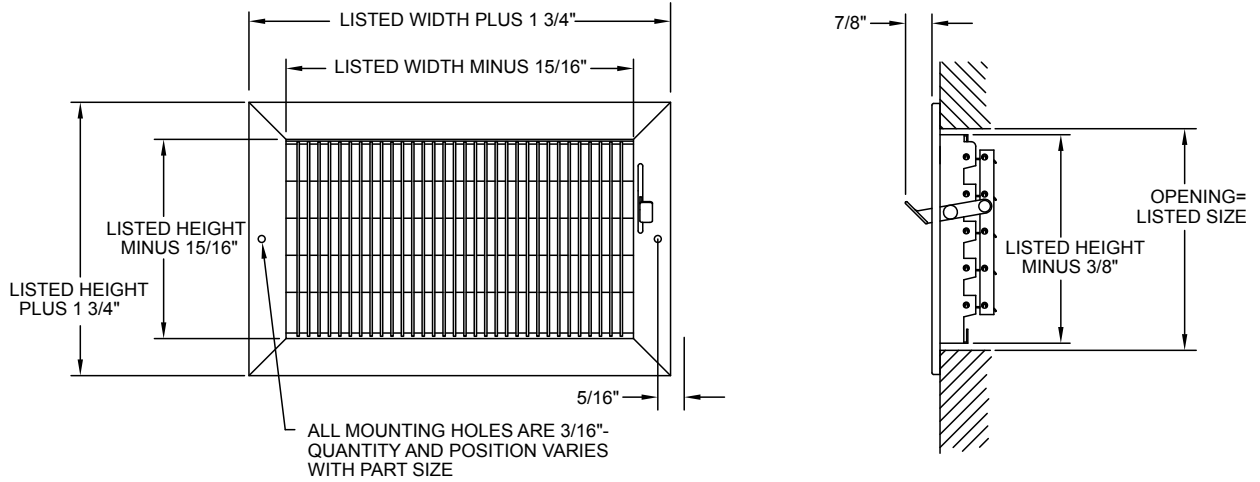


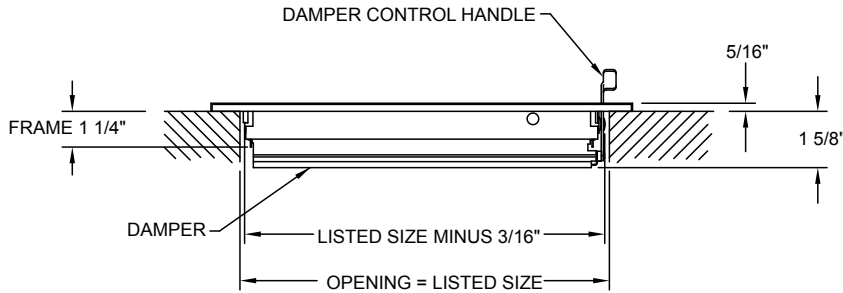


Continental Industries, Inc.
 100 West Windsor Avenue
 Elkhart, Indiana 46514
 Phone: 800.735.5272 • Fax: 574.262.2075
 Email: info@continentalindustries.com
 Web: www.continentalindustries.com

Submittal Drawing & Form



DAMPERS SHOWN OPEN, ALL VIEWS



- Description**
- Adjustable, Vertical, Roll-Form Face Bars
 - 3/4" Spacing for Easy Adjustment
 - Single Deflection
 - Multi-Shutter Damper
 - Aluminum Construction
 - White finish

Project Details	Submitted by:	AVM Series AVM
Job Title:		
Location:		
Architect:		
Engineer:		
Contractor:	Date:	SD-AVM-01