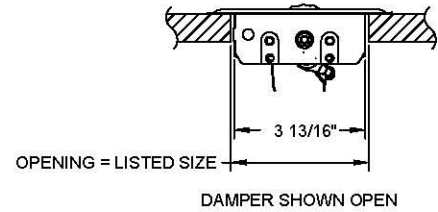
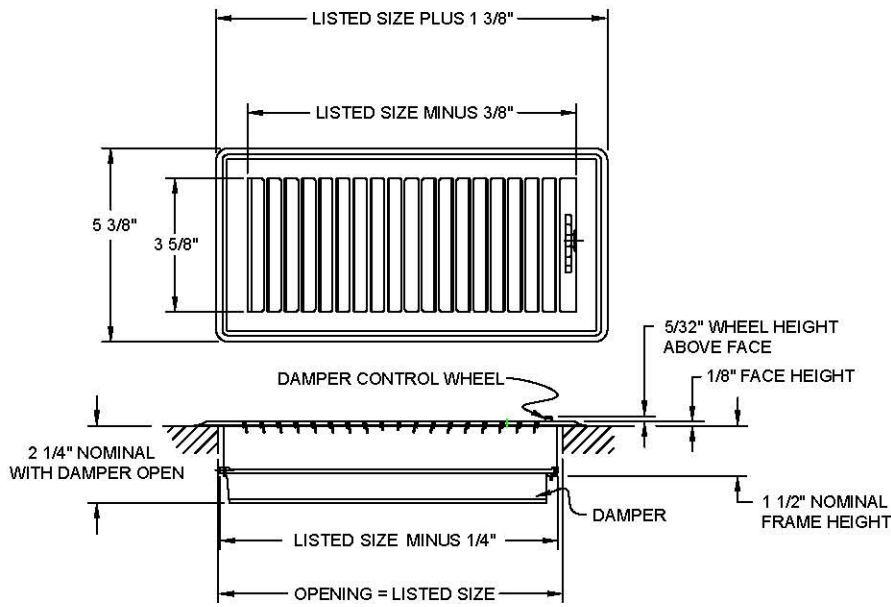




Continental Industries, Inc.
 100 West Windsor Avenue
 Elkhart, Indiana 46514
 Phone: 800.735.5272 • Fax: 574.262.2075
 Email: info@continentalindustries.com
 Web: www.continentalindustries.com

Submittal Drawing & Form



Description
◇ Rolled Face
◇ Opposed Blade Dampers
◇ One Piece Wrap Around
◇ Reinforced for Strength
◇ Golden Brown or White Finish

Project Details	Submitted by:	28 Series 28 4"
Job Title:		
Location:		
Architect:		
Engineer:		
Contractor:	Date:	SD-28_4-19