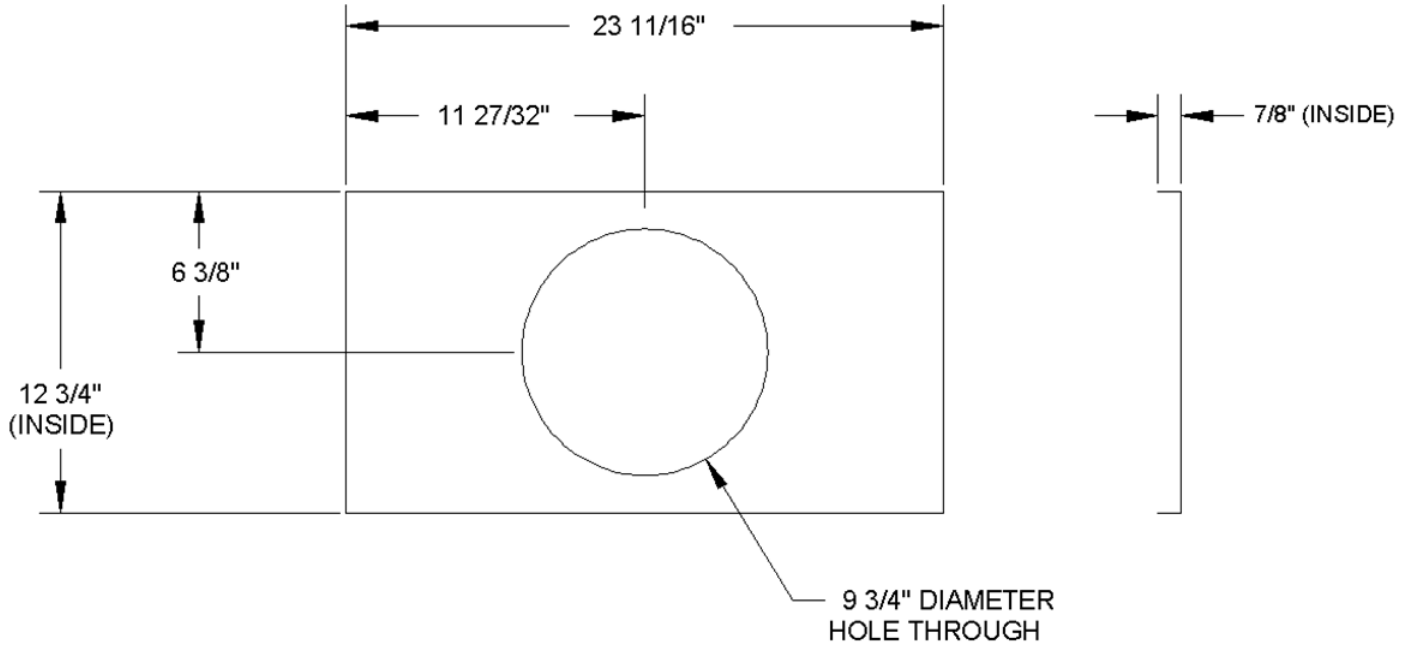




Continental Industries, Inc.
 100 West Windsor Avenue
 Elkhart, Indiana 46514
 Phone: 800.735.5272 • Fax: 574.262.2075
 Email: info@continentalindustries.com
 Web: www.continentalindustries.com

Submittal Drawing & Form



- | Description |
|---|
| <input type="checkbox"/> Galvanized Construction |
| <input type="checkbox"/> 12 3/4" x 23 11/16" |
| <input type="checkbox"/> Center Hole, 9 3/4" Diameter |
| <input type="checkbox"/> Use with P19 & P20 Series |

Project Details	Submitted by:	PCF Series CF
Job Title:	Date:	
Location:		
Architect:		
Engineer:		
Contractor:		
		SD-CF-01