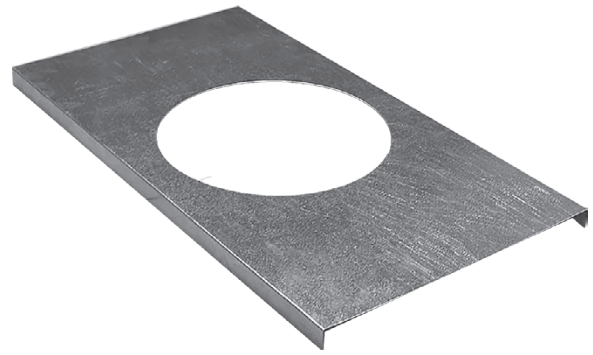
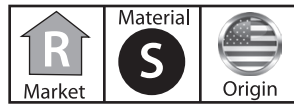
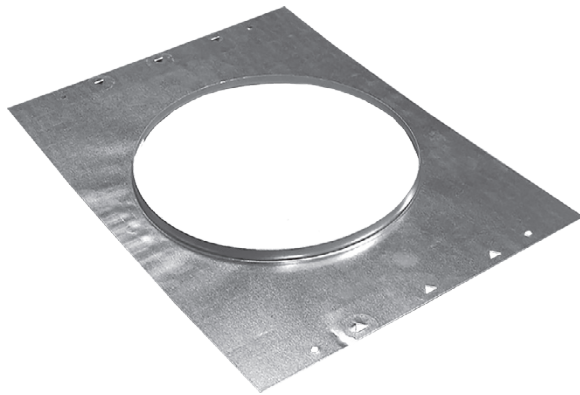
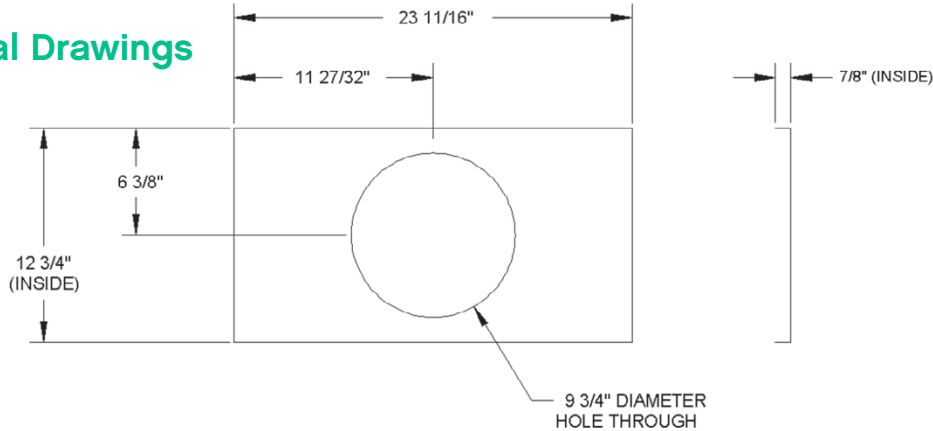


Series PCF Ceiling Flange

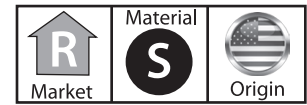


- Use with Series P19 or P20 when reinforcement is needed for thinner lay-in or T-bar ceiling panels
- Galvanized steel construction
- Made in the U.S.A.

Dimensional Drawings



Series PPF Plaster Frame



- Use with Series P19 or P20 when reinforcement is needed for thinner drywall-based ceilings
- Galvanized steel construction
- Made in the U.S.A.

Dimensional Drawings

