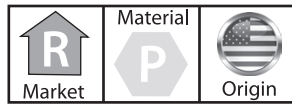
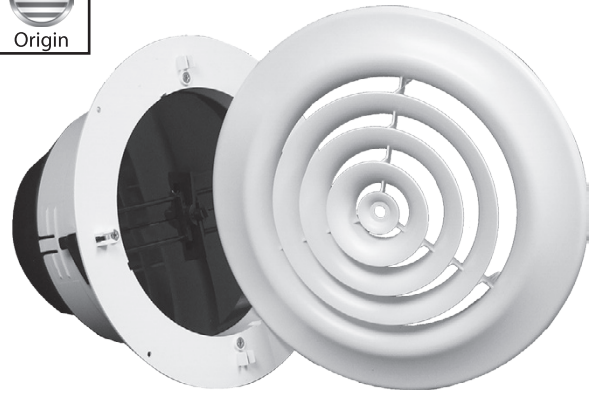


Series P20 Round Ceiling Diffuser

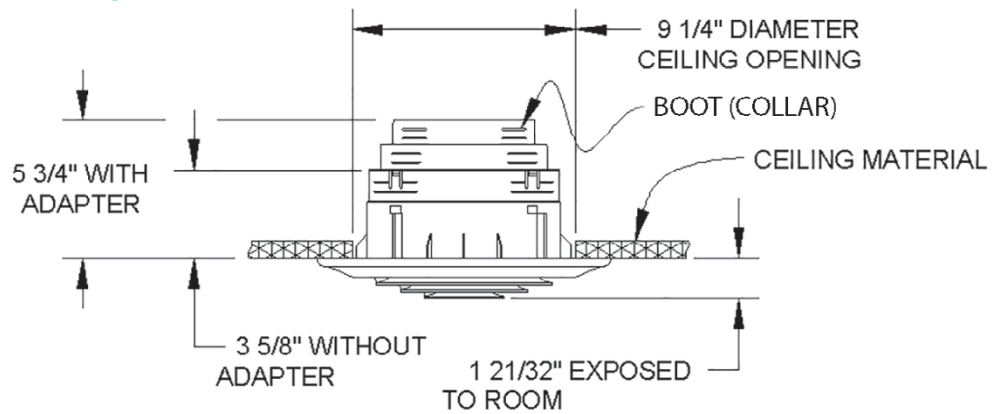


- Composite Plastic construction
- Integrated boot (collar), damper, and diffuser
- 360° diffusion
- Removeable, snap-in diffuser face
- Concealed mounting screws
- Adjustable collar; use with 6", 7" or 8" flexible duct
- Made in the U.S.A.



See also Series PCF, PPF, PLIP

Dimensional Drawings



Residential
Ceiling Diffusers

Performance Data, Series P20

Diffusion Pattern	Collar Size Ak factor	Face Velocity	300	400	500	600	700	800	900	1000
		Pressure Loss	.006	.010	.016	.022	.031	.040	.050	.062
360°	6" collar Ak .18	Cfm	54	72	90	108	126	144	162	180
		Throw	3	4	5	7	8	9	10	11
	7" collar Ak .25	Cfm	75	100	125	150	175	200	225	250
		Throw	4	5	6	8	9	11	12	13
	8" collar Ak .33	Cfm	78	104	130	156	182	208	234	260
		Throw	5	6	7	9	10	12	13	15

Terminal Velocity of 50 fpm