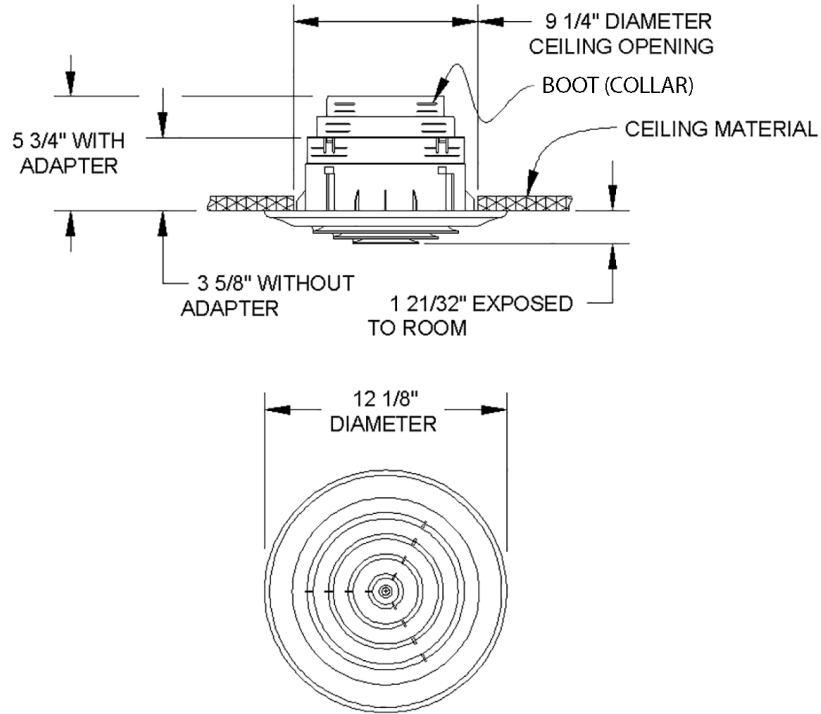




Continental Industries, Inc.
 100 West Windsor Avenue
 Elkhart, Indiana 46514
 Phone: 800.735.5272 • Fax: 574.262.2075
 Email: info@continentalindustries.com
 Web: www.continentalindustries.com

Submittal Drawing & Form



- Description**
- Boot, Damper, Diffuser in One
 - Step-down Design
 - 360° Diffusion
 - Removable, Snap-in Face
 - Adjustable Collar
 - Use with 6", 7" or 8" Flex Duct

Project Details	Submitted by:	P20 Series P20
Job Title:		
Location:		
Architect:		
Engineer:		
Contractor:	Date:	SD-P20-01