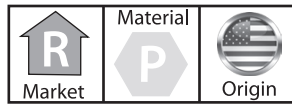


Series P19

Square Ceiling Diffusers



- Composite Plastic construction
- Integrated boot (collar), damper, and diffuser
- 2-, 3-, and 4-way diffusion
- Removeable, snap-in diffuser face
- Concealed mounting screws
- Adjustable collar; use with 6", 7" or 8" flexible duct
- Made in the U.S.A.

See also Series PCF, PPF, PLIP

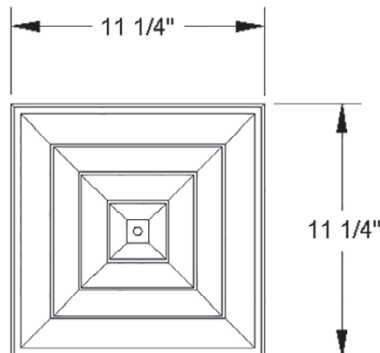
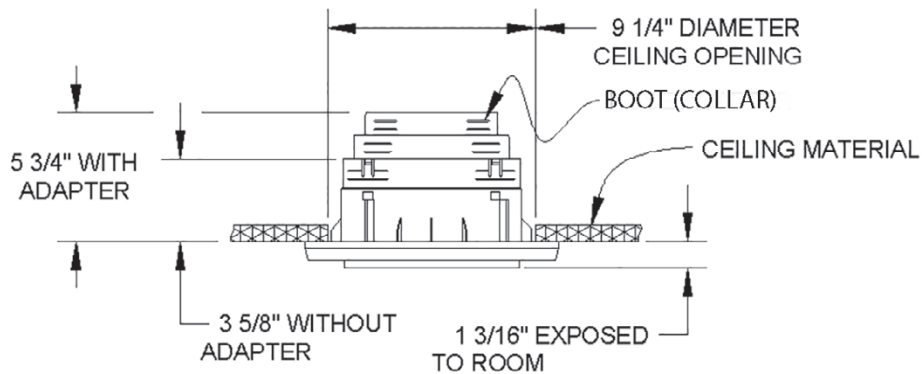
Models

P19W08082C	2-way corner diffusion
P19W08083	3-way diffusion
P19W08084	4-way diffusion



Residential
Ceiling Diffusers

Dimensional Drawings



Performance Data, Series P19

Diffusion Pattern	Collar Size Ak factor	Face Velocity	300	400	500	600	700	800	900	1000
		Pressure Loss	.006	.010	.016	.022	.031	.040	.050	.062
4-way	6" collar Ak .18	Cfm	54	72	90	108	126	144	162	180
		Throw	2	2.5	3	3.5	4	4.5	5	5.5
		NC	20-30	20-30	20-30	20-30	20-30	20-30	20-30	20-30
	7" collar Ak .25	Cfm	75	100	125	150	175	200	225	250
		Throw	3	4	5	6	7	8	9	10
		NC	20-30	20-30	20-30	20-30	20-30	20-30	30-35	30-35
	8" collar Ak .33	Cfm	99	132	165	198	231	265	297	330
		Throw	4	5	6	7	8	9	10	11
		NC	20-30	20-30	20-30	20-30	20-30	30-35	30-35	30-35
3-way	6" collar Ak .18	Cfm	54	72	90	108	126	144	162	180
		Throw	3/1.5	4/2	5/2.5	6/3.5	8/4.5	9/5	10/6	11/6.5
		NC	20-30	20-30	20-30	20-30	20-30	20-30	20-30	20-30
	7" collar Ak .25	Cfm	75	100	125	150	175	200	225	250
		Throw	3.5/2	4.5/2.5	6/3	7/4	9/5	10/5.5	11/6.5	12/7
		NC	20-30	20-30	20-30	20-30	20-30	20-30	20-30	30-35
	8" collar Ak .33	Cfm	90	120	150	180	210	240	270	300
		Throw	4/2.5	5/3	7/4	8/4.5	10/5.5	11/6	12/7	13/7.5
		NC	20-30	20-30	20-30	20-30	20-30	30-35	30-35	30-35
2-way Corner	6" collar Ak .18	Cfm	54	72	90	108	126	144	162	180
		Throw	2.5	3.5	4.5	5.5	6.5	7.5	8.5	9.5
		NC	20-30	20-30	20-30	20-30	20-30	20-30	20-30	20-30
	7" collar Ak .25	Cfm	75	100	125	150	175	200	225	250
		Throw	3	4	6	7	8	9	10	11
		NC	20-30	20-30	20-30	20-30	20-30	20-30	20-30	30-35
	8" collar Ak .33	Cfm	84	112	140	168	196	224	252	280
		Throw	4	5	7	8	9	10	11	12
		NC	20-30	20-30	20-30	20-30	20-30	20-30	30-35	30-35

Terminal Velocity of 50 fpm