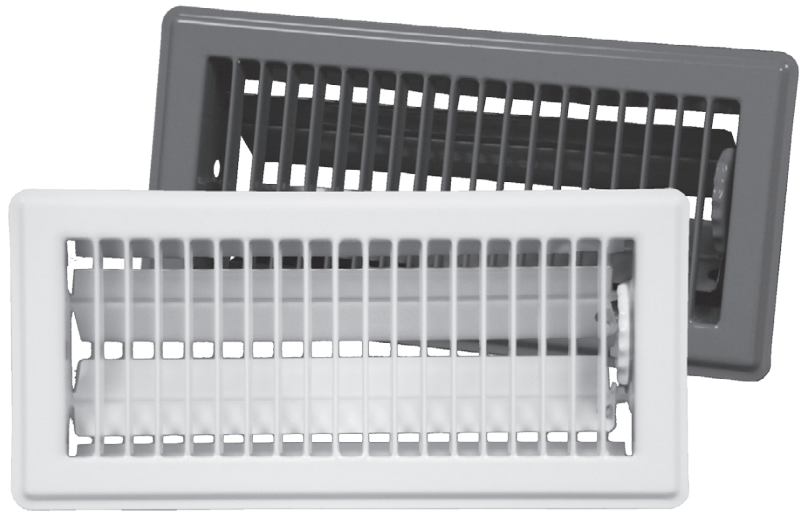


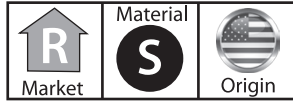
# Series 28

## Floor Perimeter Register

- Steel construction
- Patented design
- Rolled face
- Opposed blade damper
- One-piece wraparound collar for increased strength
- Available sizes: 2 1/4", 4", 6" widths
- Golden Brown or White finish
- Made in the U.S.A.

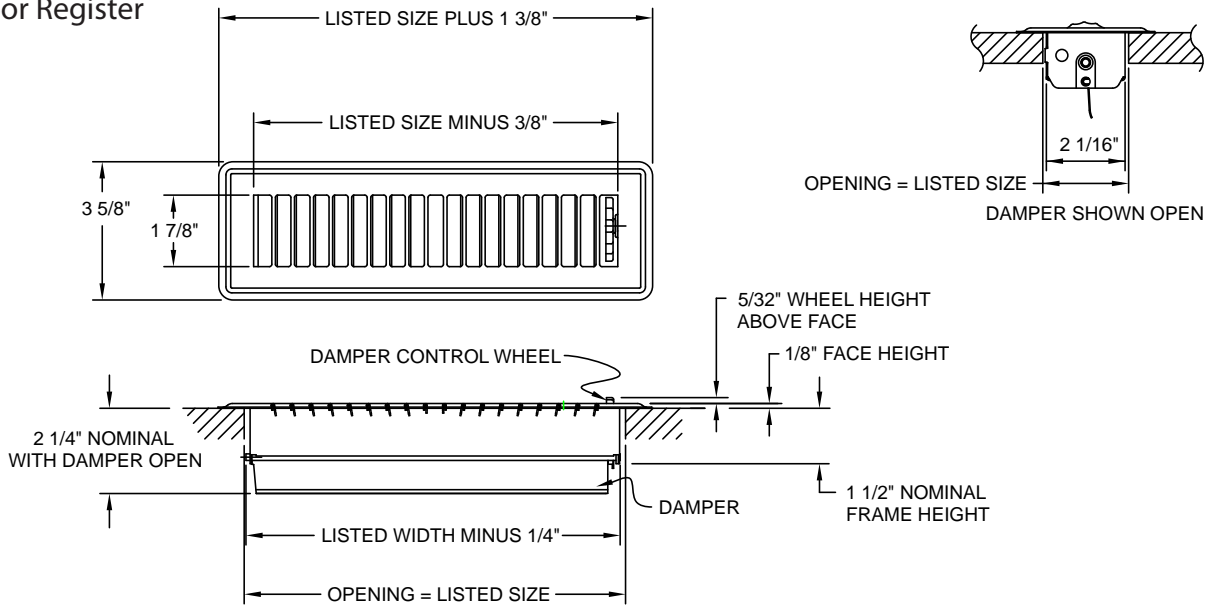


Residential  
Floor & Baseboard

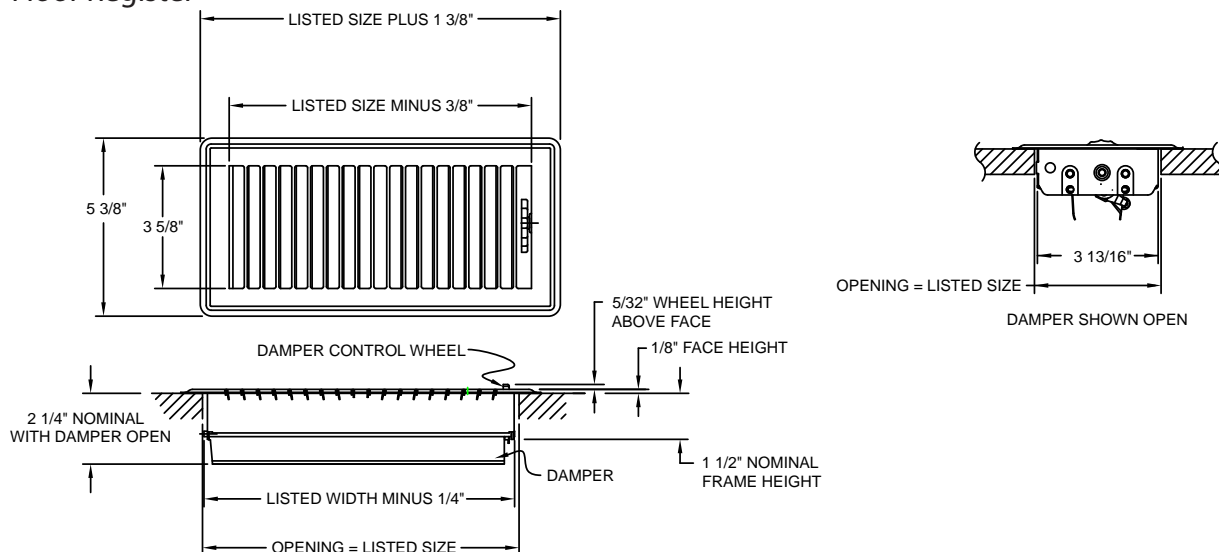


### Dimensional Drawings

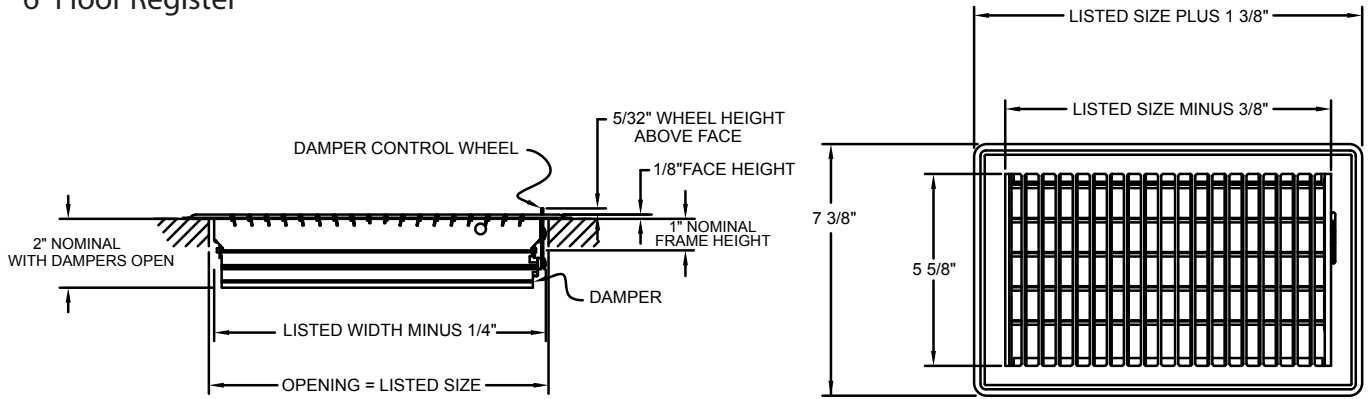
#### 2 1/4" Floor Register



#### 4" Floor Register



# 6" Floor Register



Residential  
Floor & Baseboard

## Performance Data, Series 28

Unit Size (in.)	Overall Size (in.)	Face Velocity	300	400	500	600	700	800	900	1000
		Pressure Loss	.006	.010	.016	.022	.031	.040	.050	.062
2 1/4 x 10 Ak .097	3 5/8 x 11 3/8	Cfm	29	38	48	58	68	77	87	97
		Throw	2	3	3.5	4	4.5	5	6	6.5
		Spread	3.5	4.5	5	6.5	7.5	8.5	10	11
2 1/4 x 12 Ak .118	3 5/8 x 13 3/8	Cfm	35	47	59	70	82	94	106	118
		Throw	2	3	3.5	4	4.5	5.5	6	7
		Spread	3.5	5	5	7	8	10	11	12
2 1/4 x 14 Ak .132	3 5/8 x 15 3/8	Cfm	39	52	65	79	92	105	118	131
		Throw	2.5	3	3.5	4.5	5	6	6.5	7.5
		Spread	3.5	4.5	6	7	8.5	10	11.5	12.5
4 x 8 Ak .139	5 3/8 x 9 3/8	Cfm	41	55	69	83	97	111	124	138
		Throw	2	2.5	3	3.5	4	4.5	5	6
		Spread	3	4	5	6	7	8	9	10
4 x 10 Ak .174	5 3/8 x 11 3/8	Cfm	52	69	86	104	121	138	156	173
		Throw	2.5	3	4	4.5	5.5	6.5	7	8
		Spread	4	4.5	6.5	8.5	9.5	11	12.5	14
4 x 12 Ak .208	5 3/8 x 13 3/8	Cfm	62	83	104	124	145	166	187	208
		Throw	2.5	3.5	4	5.5	6	7	8	8.5
		Spread	4	6	7.5	9	10.5	12	13.5	15.5
4 x 14 Ak .243	5 3/8 x 15 3/8	Cfm	72	97	121	145	170	194	218	243
		Throw	3	4	5	6	7	7.5	8.5	9.5
		Spread	4.5	6.5	8.5	9.5	11.5	13	14	16.5
6 x 10 Ak .243	7 3/8 x 11 3/8	Cfm	80	110	135	160	190	215	245	270
		Throw	3.5	4.5	6	7	8	9	10.5	11.5
		Spread	6	8	10	11.5	13.5	15.5	17.5	19.5
6 x 12 Ak .299	7 3/8 x 13 3/8	Cfm	100	130	165	200	230	265	295	330
		Throw	4	5	6.5	7.5	9	10	11.5	12.5
		Spread	6.5	8.5	11	13	15	17	19.5	21.5
6 x 14 Ak .347	7 3/8 x 15 3/8	Cfm	115	155	195	235	275	310	350	390
		Throw	4.5	5.5	7	8.5	10	11	12.5	14
		Spread	7.5	9.5	12	14	17	19	21.5	23.5

Terminal velocity is 50 fpm. Always specify width by height.