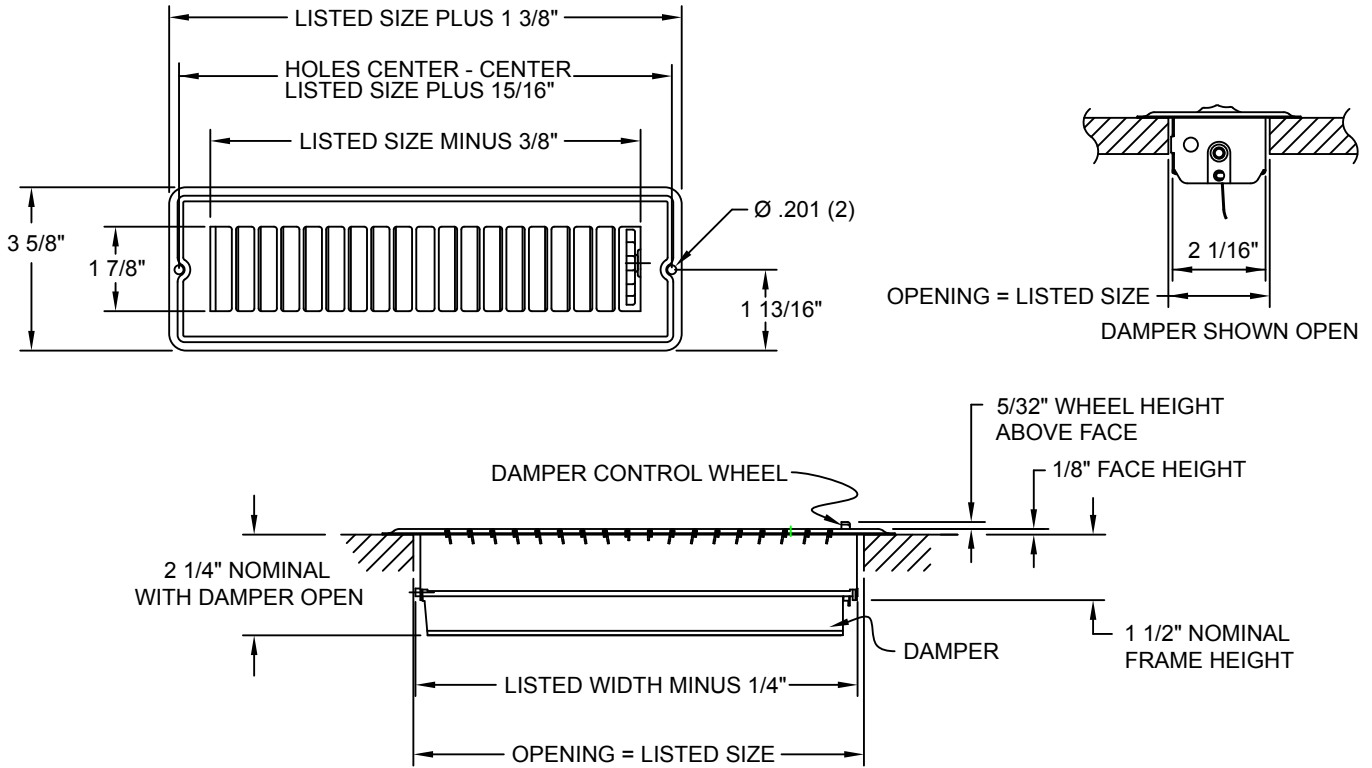




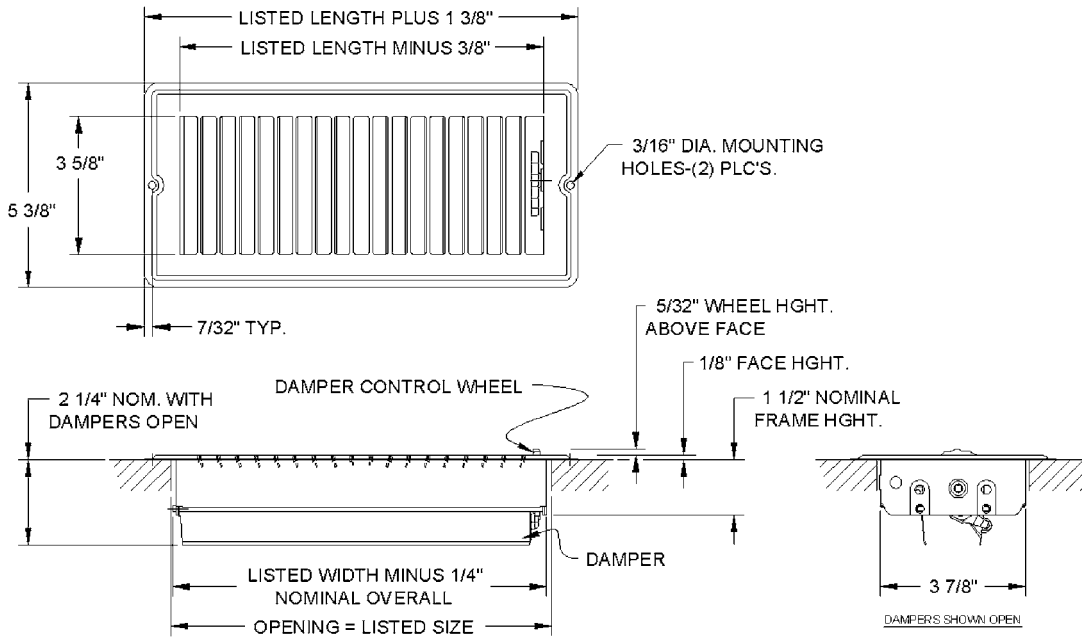
Continental Industries, Inc.
 100 West Windsor Avenue
 Elkhart, Indiana 46514
 Phone: 800.735.5272 • Fax: 574.262.2075
 Email: info@continentalindustries.com
 Web: www.continentalindustries.com

Submittal Drawing & Form



Description
<input type="checkbox"/> Rolled Face
<input type="checkbox"/> Opposed Blade Dampers
<input type="checkbox"/> Mounting Holes
<input type="checkbox"/> Golden Brown or White finish

Project Details	Submitted by:	30 Series 30 2 1/4"
Job Title:		
Location:		
Architect:		
Engineer:		
Contractor:	Date:	SD-30_2.25-01



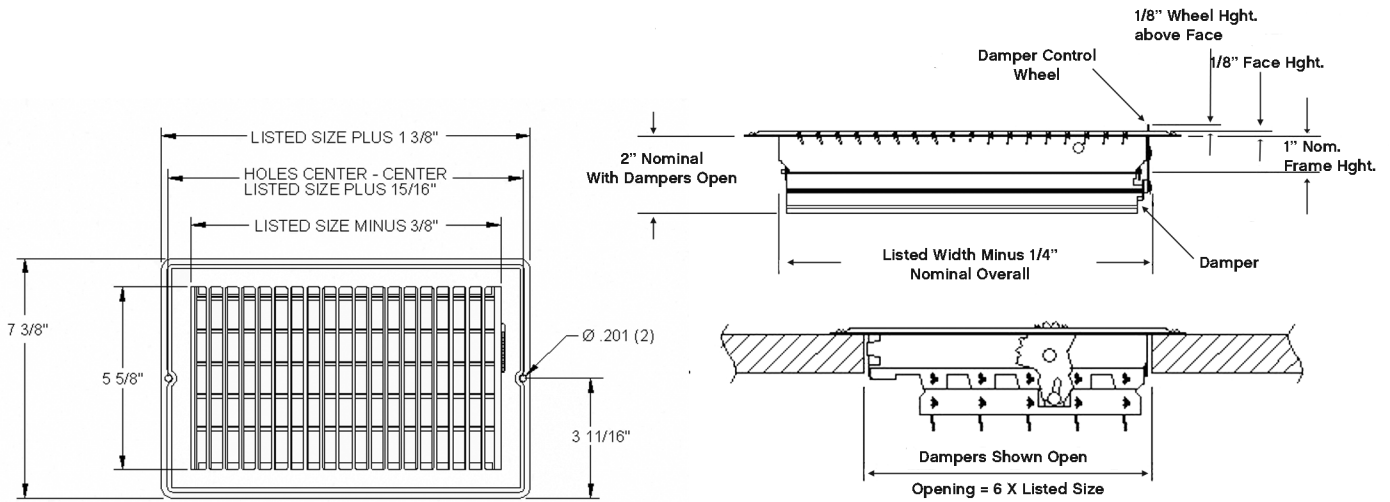
- | Description |
|---|
| <input type="checkbox"/> Rolled Face |
| <input type="checkbox"/> Opposed Blade Dampers |
| <input type="checkbox"/> Mounting Holes |
| <input type="checkbox"/> Golden Brown or White finish |

Project Details	Submitted by:	30 Series 30 4"
Job Title:		
Location:		
Architect:		
Engineer:		
Contractor:	Date:	SD-30_4-01



Continental Industries, Inc.
 100 West Windsor Avenue
 Elkhart, Indiana 46514
 Phone: 800.735.5272 • Fax: 574.262.2075
 Email: info@continentalindustries.com
 Web: www.continentalindustries.com

Submittal Drawing & Form



Description
<input type="checkbox"/> Rolled Face
<input type="checkbox"/> Opposed Blade Dampers
<input type="checkbox"/> Mounting Holes
<input type="checkbox"/> Golden Brown or White finish

Project Details	Submitted by:	30 Series 30 6"
Job Title:		
Location:		
Architect:		
Engineer:		
Contractor:	Date:	SD-30_6-01