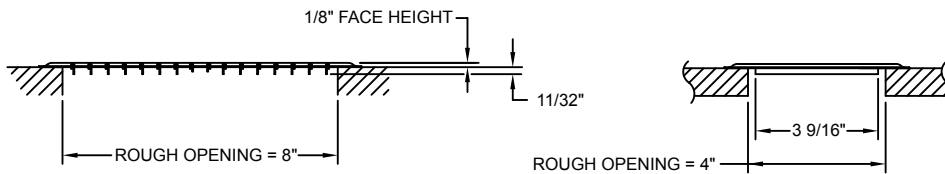
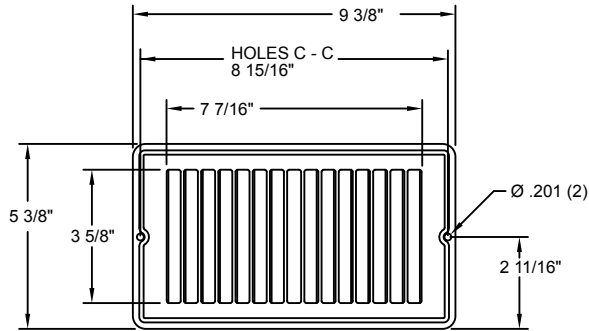




Metaline (brand)  
 Continental Industries, Inc.  
 100 West Windsor Avenue  
 Elkhart, Indiana 46514  
 Phone: 800.735.5272 • Fax: 574.262.2075  
 Email: info@continentalindustries.com  
 Web: www.continentalindustries.com

# Submittal Drawing & Form



Description
<input type="checkbox"/> Packaging: Retail
<input type="checkbox"/> Mounting holes
<input type="checkbox"/> Construction: Steel
<input type="checkbox"/> Finish: Anodic Acrylic Electrocoat
<input type="checkbox"/> Color: White
<input type="checkbox"/> Origin: Made in the U.S.A.
<input type="checkbox"/> Carton quantity: 12

Project Details	Submitted by:	<b>R10F2509W</b> <b>Light-Duty Floor Grille</b>
Job Title: Location: Architect: Engineer: Contractor:	Date:	
		<b>SD-R10F2509W-01</b>