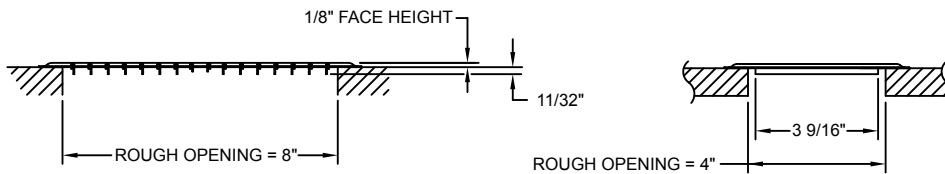
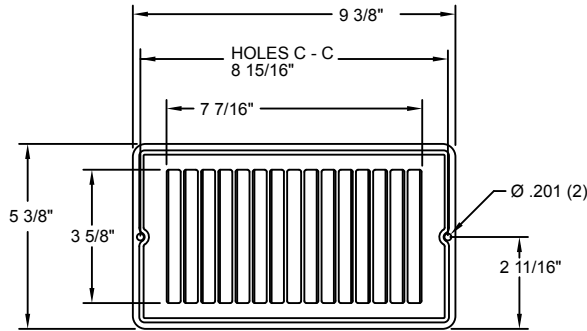




Metaline (brand)
 Continental Industries, Inc.
 100 West Windsor Avenue
 Elkhart, Indiana 46514
 Phone: 800.735.5272 • Fax: 574.262.2075
 Email: info@continentalindustries.com
 Web: www.continentalindustries.com

Submittal Drawing & Form



| Description |
|---|
| <input type="checkbox"/> Packaging: Bulk |
| <input type="checkbox"/> Mounting holes |
| <input type="checkbox"/> Construction: Steel |
| <input type="checkbox"/> Finish: Anodic Acrylic Electrocoat |
| <input type="checkbox"/> Color: White |
| <input type="checkbox"/> Origin: Made in the U.S.A. |
| <input type="checkbox"/> Carton quantity: 12 |

| Project Details | Submitted by: | 10F2509W Light-Duty Floor Grille |
|-----------------|---------------|---|
| Job Title: | | |
| Location: | | |
| Architect: | | |
| Engineer: | | |
| Contractor: | | |
| Date: | | SD-10F2509W-01 |