

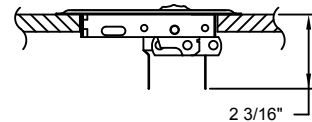
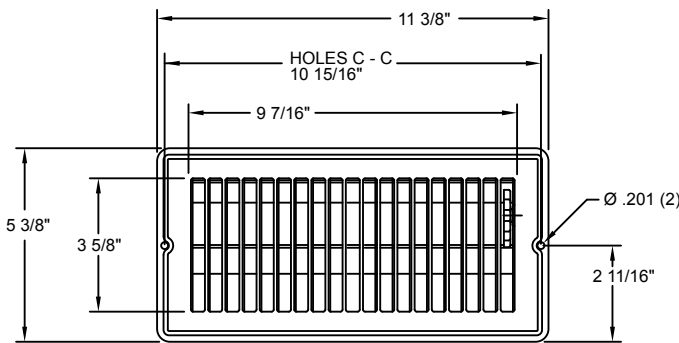
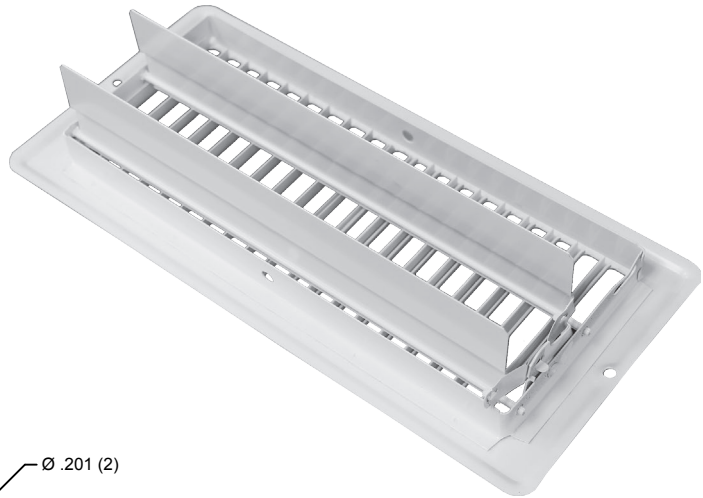
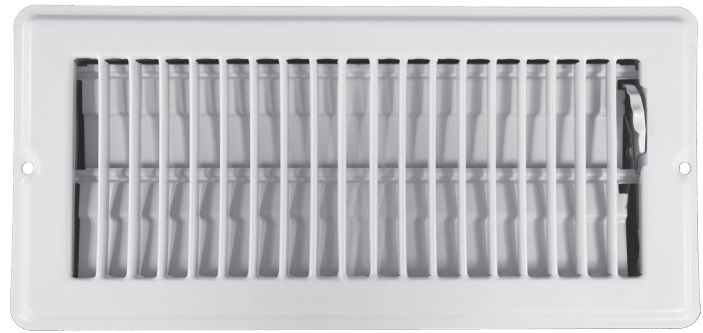
# 12511W & R12511W Low-Profile Floor Registers

4 x 10

These registers are designed specifically for applications that cannot accommodate standard-depth products. They fit a rough opening of 4" x 10".

The 12511W is available in bulk packaging only. The R12509 is individually shrink-wrapped and labeled and includes mounting screws.

- ❑ Mounting holes for secure placement
- ❑ One-piece wraparound collar for increased strength
- ❑ Rolled face blades for bare foot smoothness
- ❑ Multi-shutter damper for precise air flow control
- ❑ Spring-loaded damper actuation for rattle-free positioning
- ❑ Construction: Steel
- ❑ Finish: Anodic Acrylic Electrocoat
- ❑ Color: White
- ❑ Origin: Made in the U.S.A.
- ❑ Carton quantity: 48



ALTERNATE VIEW  
DAMPERS OPEN

