

Series X28

Floor Perimeter Register

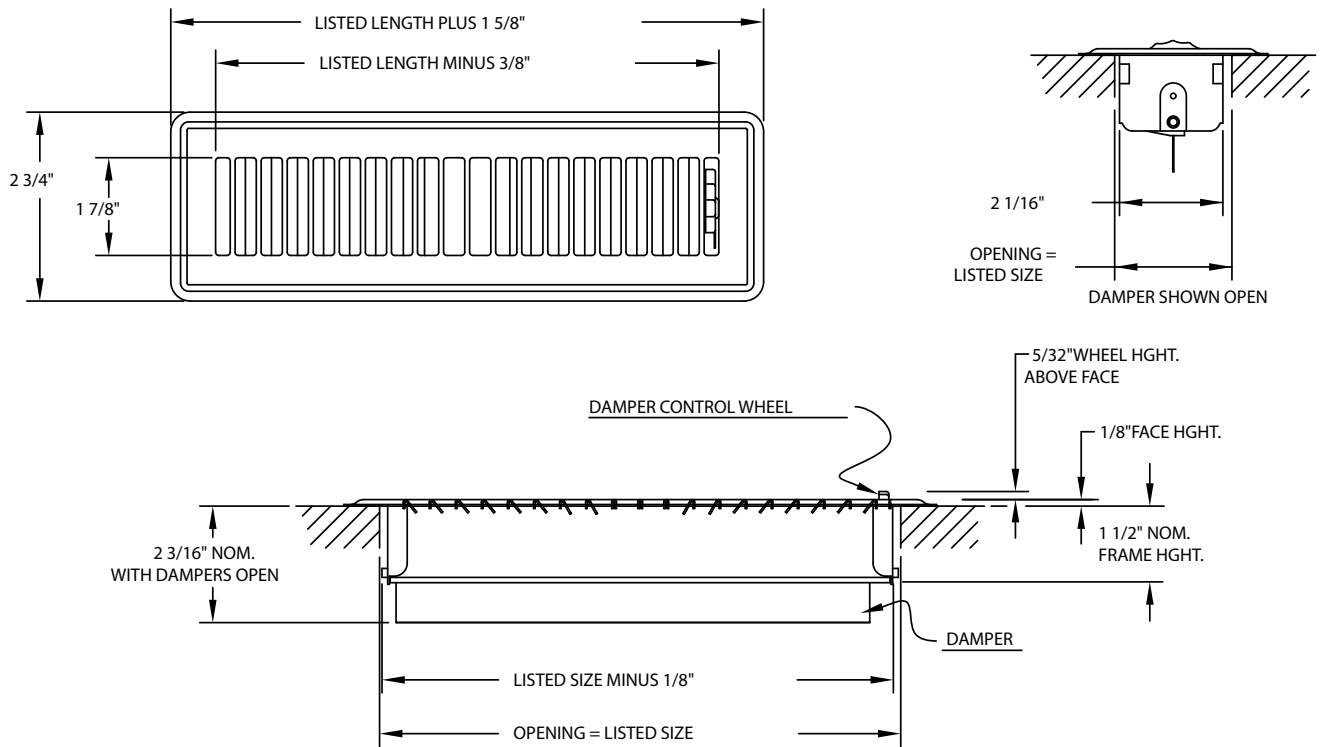
- ❑ Steel construction
- ❑ Multi-shutter damper
- ❑ Textured Brown or White finish
- ❑ Available sizes: 2 1/4" and 4" widths; 10" and 12" lengths
- ❑ Imported (cost-effective alternative to our domestic line)



Residential
Floor & Baseboard

Dimensional Drawings

2 1/4" Floor Register



4" Floor Register

