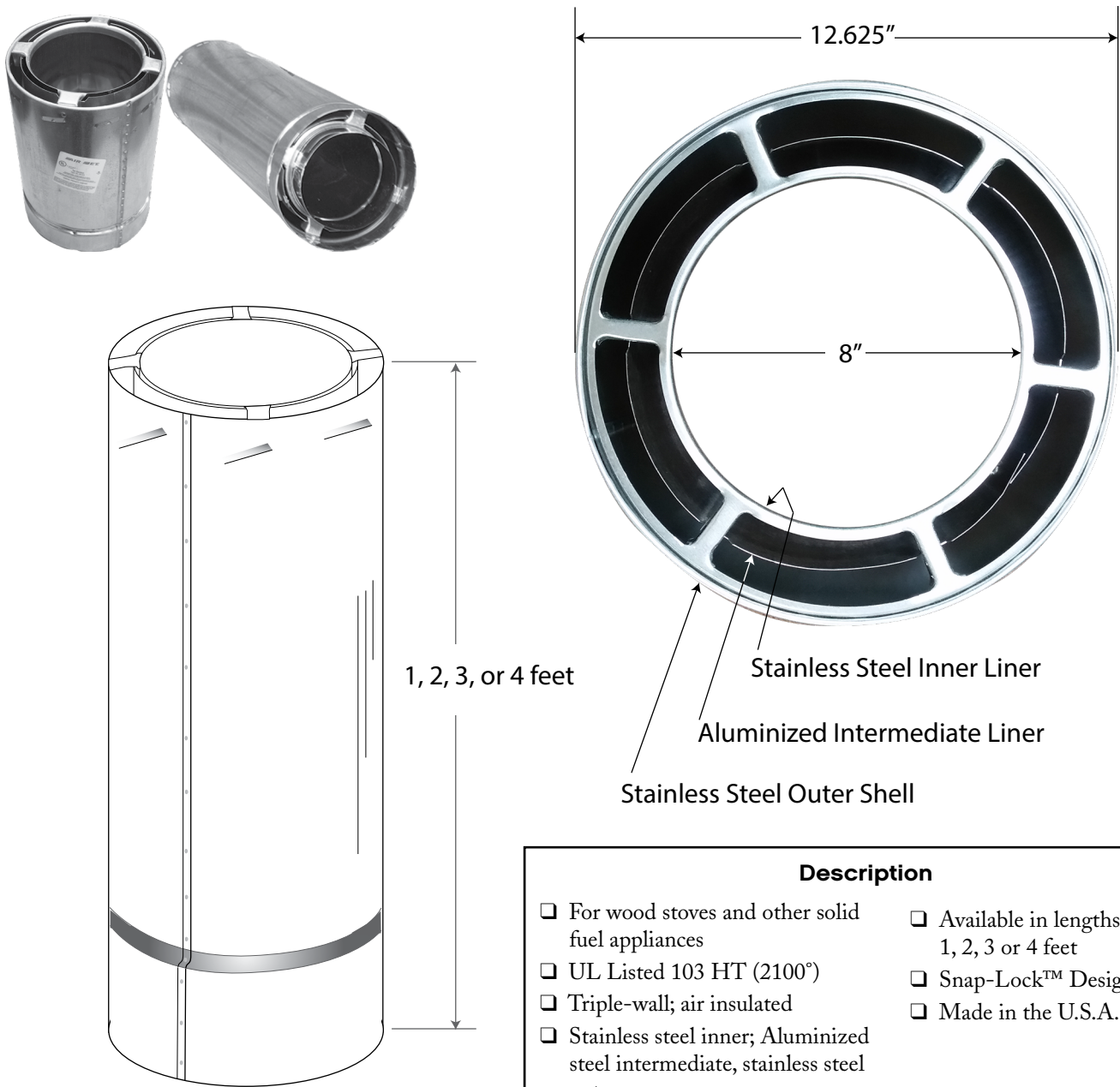




Continental Industries, Inc.  
 100 West Windsor Avenue  
 Elkhart, Indiana 46514  
 Phone: 800.735.5272 • Fax: 574.262.2075  
 Email: info@continentalindustries.com  
 Web: www.continentalindustries.com

# Submittal Drawing & Form



Description	
<input type="checkbox"/> For wood stoves and other solid fuel appliances	<input type="checkbox"/> Available in lengths of 1, 2, 3 or 4 feet
<input type="checkbox"/> UL Listed 103 HT (2100°)	<input type="checkbox"/> Snap-Lock™ Design
<input type="checkbox"/> Triple-wall; air insulated	<input type="checkbox"/> Made in the U.S.A.
<input type="checkbox"/> Stainless steel inner; Aluminized steel intermediate, stainless steel outer	

Project Details	Submitted by:	8S-S Series All Fuel Chimney Pipe
Job Title:		
Location:		
Architect:		
Engineer:		
Contractor:	Date:	SD-8S-S-01