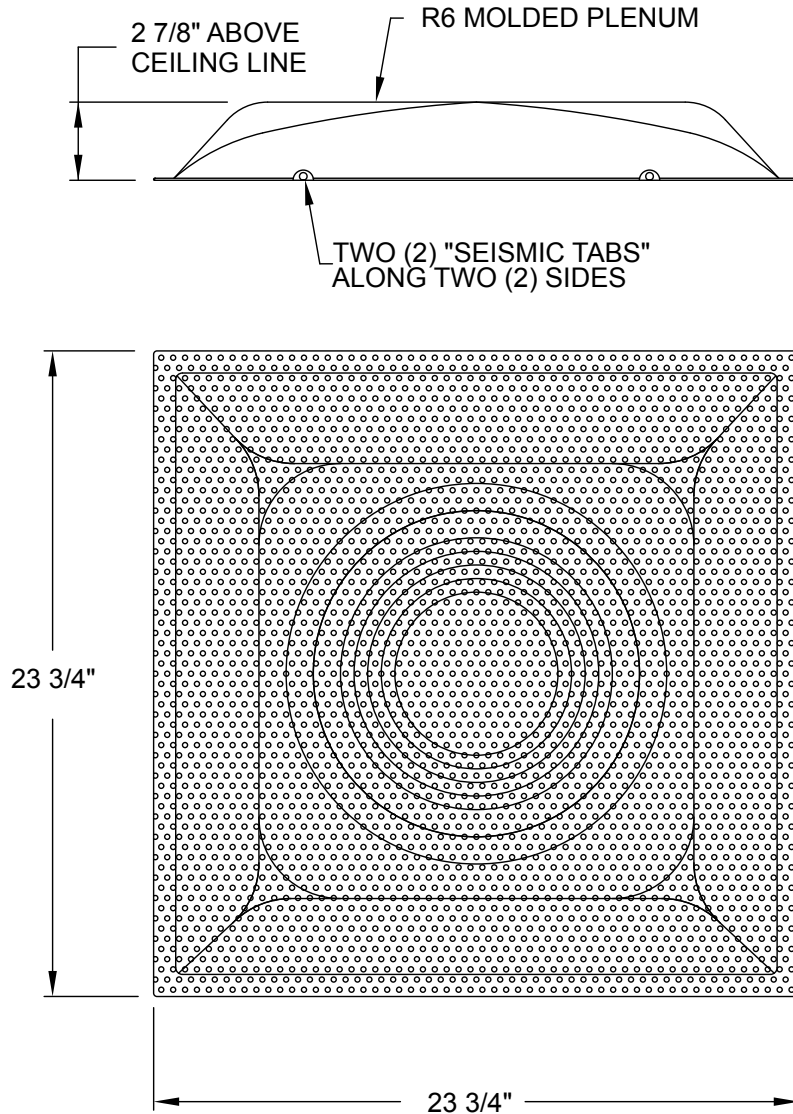




Continental Industries, Inc.
 100 West Windsor Avenue
 Elkhart, Indiana 46514
 Phone: 800.735.5272 • Fax: 574.262.2075
 Email: info@continentalindustries.com
 Web: www.continentalindustries.com

Submittal Drawing & Form



- | Description |
|--|
| <input type="checkbox"/> for return air applications |
| <input type="checkbox"/> perforated face |
| <input type="checkbox"/> steel construction |
| <input type="checkbox"/> R6 rated fiberglass plenum |
| <input type="checkbox"/> Standard White or optional Black finish |
| <input type="checkbox"/> Made in the USA |

Project Details	Submitted by:	CS106PR Series Perforated Return
Job Title:		
Location:		
Architect:		
Engineer:		
Contractor:	Date:	SD-CS106PR-01