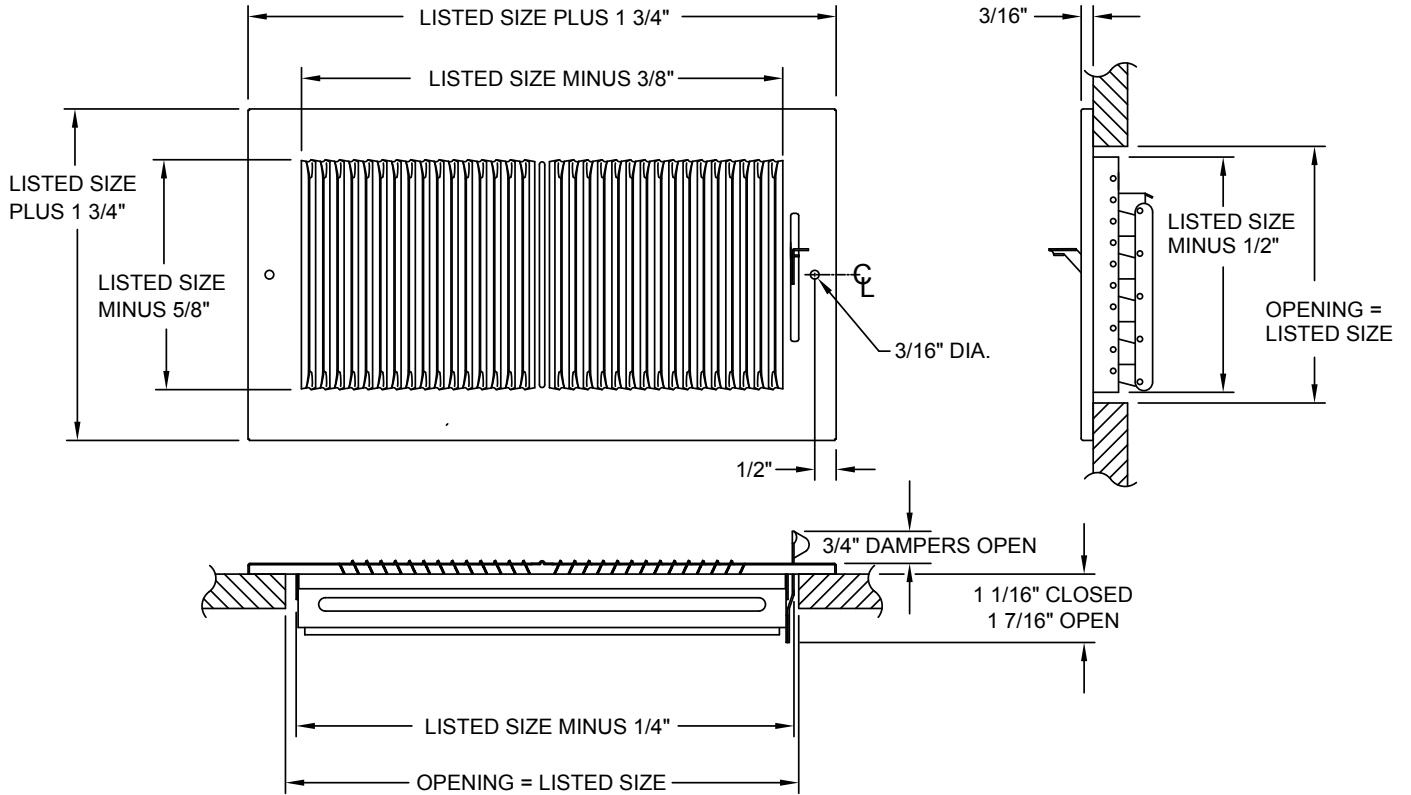




Continental Industries, Inc.
 100 West Windsor Avenue
 Elkhart, Indiana 46514
 Phone: 800.735.5272 • Fax: 574.262.2075
 Email: info@continentalindustries.com
 Web: www.continentalindustries.com

Submittal Drawing & Form



DAMPER SHOWN OPEN

Description
<input type="checkbox"/> Lanced Face
<input type="checkbox"/> Multi Shutter Damper
<input type="checkbox"/> 2-Way Diffusion
<input type="checkbox"/> 1/3" Spaced Fins
<input type="checkbox"/> White Finish
<input type="checkbox"/> Comparable Alternative to 32 Series

Project Details	Submitted by:	X32 Series X32
Job Title:		
Location:		
Architect:		
Engineer:		
Contractor:	Date:	SD-X32-01