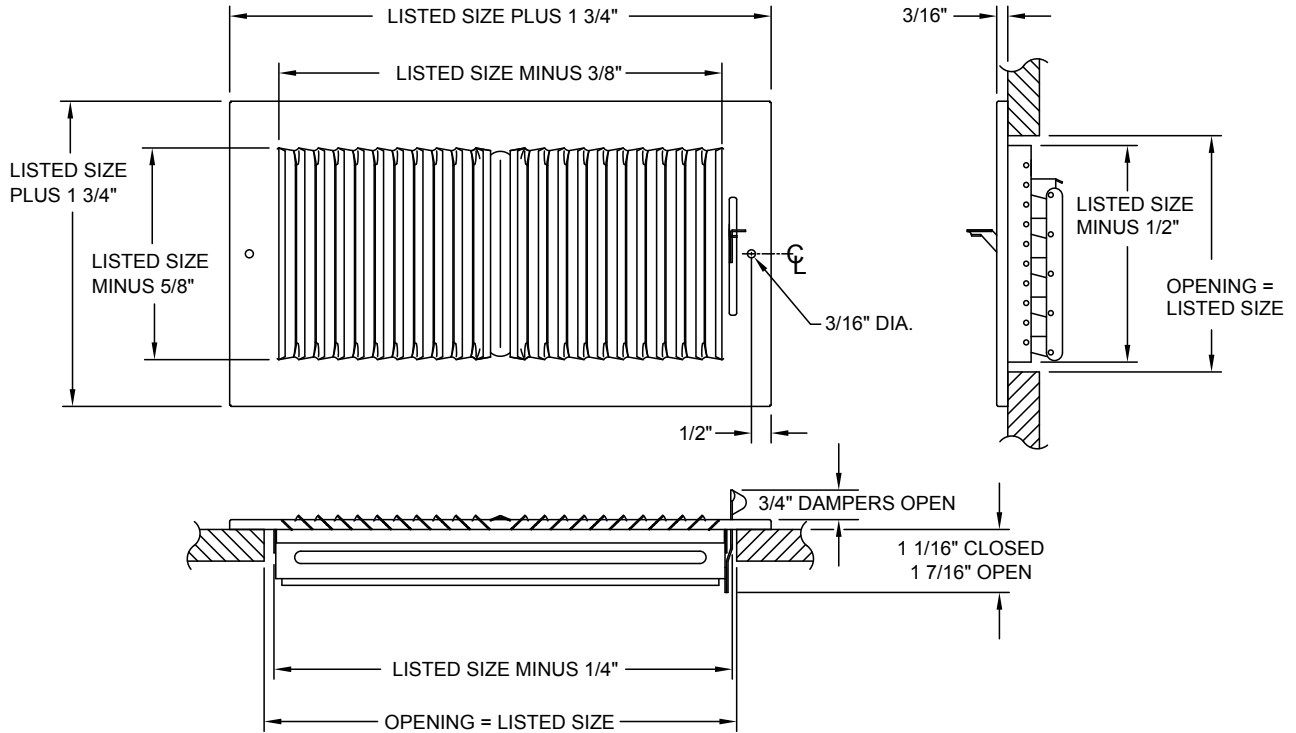




Continental Industries, Inc.
 100 West Windsor Avenue
 Elkhart, Indiana 46514
 Phone: 800.735.5272 • Fax: 574.262.2075
 Email: info@continentalindustries.com
 Web: www.continentalindustries.com

Submittal Drawing & Form



DAMPER SHOWN OPEN

- | Description |
|--|
| <input type="checkbox"/> Lanced Face |
| <input type="checkbox"/> Multi-Shutter Damper |
| <input type="checkbox"/> 2 Way Diffusion |
| <input type="checkbox"/> 1/2" Spaced Fins |
| <input type="checkbox"/> Recessed Mounting Holes |
| <input type="checkbox"/> White finish |
| <input type="checkbox"/> Imported alternative to 22 Series |

Project Details	Submitted by:	X22 Series X22
Job Title:	Date:	
Location:		
Architect:		
Engineer:		
Contractor:		