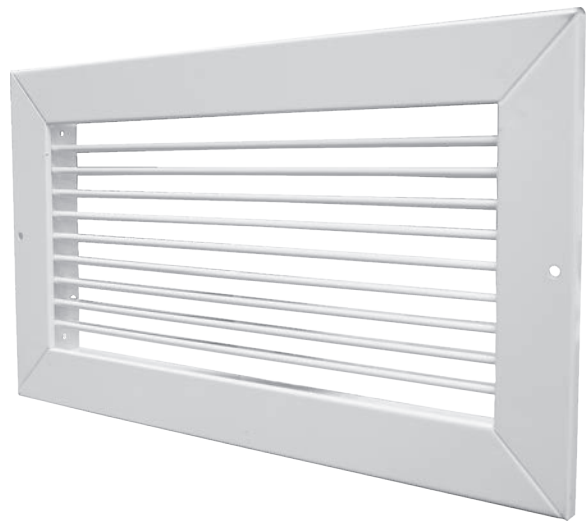
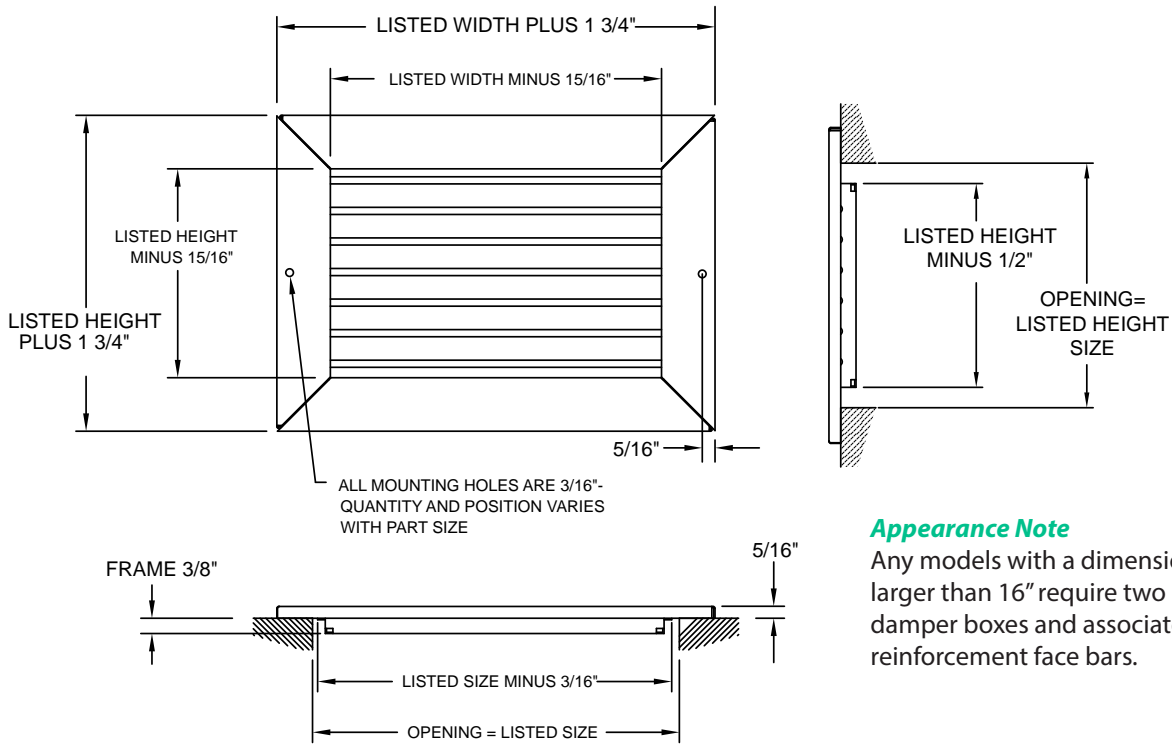


Series RGH-0/ARGH-0 Sidewall/Ceiling Supply Grille

- Fixed, horizontal, roll-form face bars
- Single deflection (0°)
- Steel construction (RGH-0)
- Aluminum construction (ARGH-0)
- White finish
- Made in the U.S.A.



Dimensional Drawings



Appearance Note

Any models with a dimension larger than 16" require two or more damper boxes and associated reinforcement face bars.

Performance Data, Series RGH-0/ARGH-0

Unit Size (in.)	Overall Size (in.)	Face Velocity	300	400	500	600	700	800	900	1000
		Pressure Loss	.006	.010	.016	.022	.031	.040	.050	.062
8 x 8 Ak .257	9-3/4 x 9-3/4	Cfm	77	103	129	154	180	206	231	257
		Throw	6	7	9	11	13	15	17	19
10 x 6 Ak .243	11-3/4 x 7-3/4	Cfm	73	97	122	146	170	194	219	243
		Throw	6	8	9	11	13	15	17	19
10 x 8 Ak .333	11-3/4 x 9-3/4	Cfm	100	133	167	200	233	267	300	333
		Throw	7	8	10	12	14	16	17	21
10 x 10 Ak .417	11-3/4 x 11-3/4	Cfm	125	167	208	250	292	333	375	417
		Throw	7	9	12	14	16	18	20	23
12 x 6 Ak .297	13-3/4 x 7-3/4	Cfm	89	119	149	178	208	238	267	297
		Throw	7	8	10	12	15	17	19	21

Performance Data, Series RGH-0/ARGH-0 (continued)

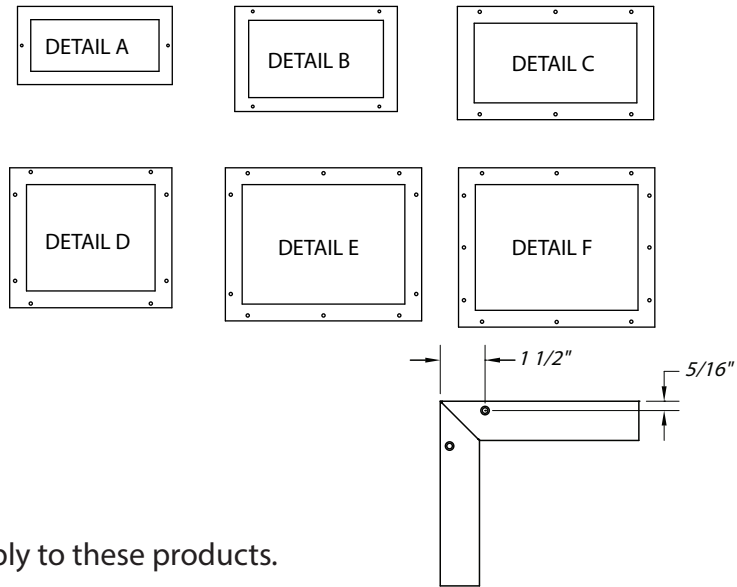
Unit Size (in.)	Overall Size (in.)	Face Velocity	300	400	500	600	700	800	900	1000
		Pressure Loss	.006	.010	.016	.022	.031	.040	.050	.062
12 x 8 Ak .403	13-3/4 x 9-3/8	Cfm	121	161	201	242	282	322	363	403
		Throw	7	9	11	13	18	17	19	22
12 x 12 Ak .611	13-3/4 x 13-3/4	Cfm	183	244	306	367	428	489	550	611
		Throw	9	11	14	17	20	22	25	29
14 x 6 Ak .347	15-3/4 x 7-3/4	Cfm	104	139	174	208	243	278	313	347
		Throw	7	8	11	13	16	18	20	23
14 x 8 AK .472	15-3/4 x 9-3/4	Cfm	142	189	236	283	331	378	425	472
		Throw	8	9	12	14	17	19	21	24
14 x 10 Ak .590	15-3/4 x 11-3/4	Cfm	177	236	295	354	413	472	531	590
		Throw	9	11	13	16	19	22	25	28
14 x 12 Ak .715	15-3/4 x 13-3/4	Cfm	215	286	358	429	501	572	644	715
		Throw	9	12	14	18	22	24	27	31
16 x 6 Ak .375	17-3/4 x 7-3/4	Cfm	113	150	188	225	263	300	338	375
		Throw	7	10	12	15	17	20	22	25
16 x 8 AK .507	17-3/4 x 9-3/4	Cfm	152	203	254	302	355	406	456	507
		Throw	8	10	13	15	18	20	22	25
16 x 10 Ak .639	17-3/4 x 11-3/4	Cfm	192	256	319	383	447	511	575	639
		Throw	7	10	12	15	17	20	22	25
16 x 12 Ak .771	17-3/4 x 13-3/4	Cfm	231	308	385	463	540	617	694	771
		Throw	7	10	12	15	17	20	22	25
18 x 8 Ak .576	19-3/4 x 9-3/4	Cfm	173	231	288	346	404	461	519	576
		Throw	9	11	13	16	19	22	25	28
18 x 10 Ak .729	19-3/4 x 11-3/4	Cfm	219	292	365	438	510	583	656	729
		Throw	7	10	12	15	17	20	22	25
18 x 12 Ak .875	19-3/4 x 13-3/4	Cfm	263	350	438	525	613	700	788	875
		Throw	7	10	12	15	17	20	22	25
20 x 6 Ak .479	21-3/4 x 7-3/4	Cfm	144	192	240	288	335	383	431	479
		Throw	8	11	14	16	20	23	25	28
20 x 8 Ak .646	21-3/4 x 9-3/4	Cfm	194	258	323	388	452	517	581	646
		Throw	9	12	15	18	21	23	26	29
20 x 10 Ak .813	21-3/4 x 11-3/4	Cfm	244	325	406	488	569	650	731	813
		Throw	7	10	12	15	17	20	22	25
20 x 12 Ak 986	21-3/4 x 13-3/4	Cfm	296	394	493	592	690	789	888	986
		Throw	7	10	12	15	17	20	22	25
24 x 6 Ak .583	25-3/4 x 7-3/4	Cfm	175	233	292	350	408	467	525	583
		Throw	9	12	15	18	21	23	26	29
24 x 8 Ak .792	25-3/4 x 9-3/4	Cfm	238	317	396	475	554	633	713	792
		Throw	10	13	17	19	23	25	28	31
24 x 10 Ak .933	25-3/4 x 11-3/4	Cfm	298	397	497	596	695	794	894	993
		Throw	7	10	12	15	17	20	22	25
24 x 12 Ak 1.201	25-3/4 x 13-3/4	Cfm	360	481	601	721	841	961	1081	1201
		Throw	7	10	12	15	17	20	22	25

Commercial
Sidewall or Ceiling

Mounting Hole Guide for Select Products

The following products in this section have embossed (recessed) mounting holes.

Series	Page #
RVML & AVM	122, 127
RHML & AHM	129, 131
RGV & ARGV	133
RGV-0 & ARVG-0	135
RGH & ARGH	137
RGH-0 & ARGH-0	139
HVG & AHVG	141
VHG & AVHG	143
FBG40 & AFBG40	145
FBG60 & AFBG60	147



The following chart and diagrams above apply to these products.

		Width																									
		6	8	10	12	14	15	16	18	20	22	24	26	28	30	32	34	36	38	40	42	44	46	48			
Height	4																									4	
	6																										6
	8				A							B															8
	10			2 Holes							4 Holes									C							10
	12																				6 Holes						12
	14																										14
	15																										15
	16																										16
	18																										18
	20																										20
	22			B								D									E						22
	24			4 Holes								8 Holes									10 Holes						24
	26																										26
	28																										28
	30																										30
	32																										32
	34																										34
	36																										36
38			C								E									F						38	
40			6 Holes								10 Holes									12 Holes						40	
42																										42	
44																										44	
46																										46	
48																										48	
		6	8	10	12	14	15	16	18	20	22	24	26	28	30	32	34	36	38	40	42	44	46	48			
		Width																									

Commercial Sidewall or Ceiling