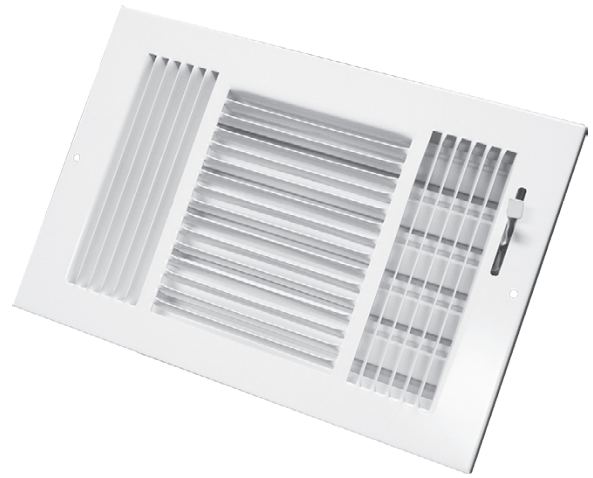
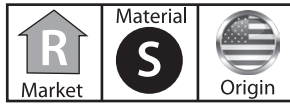


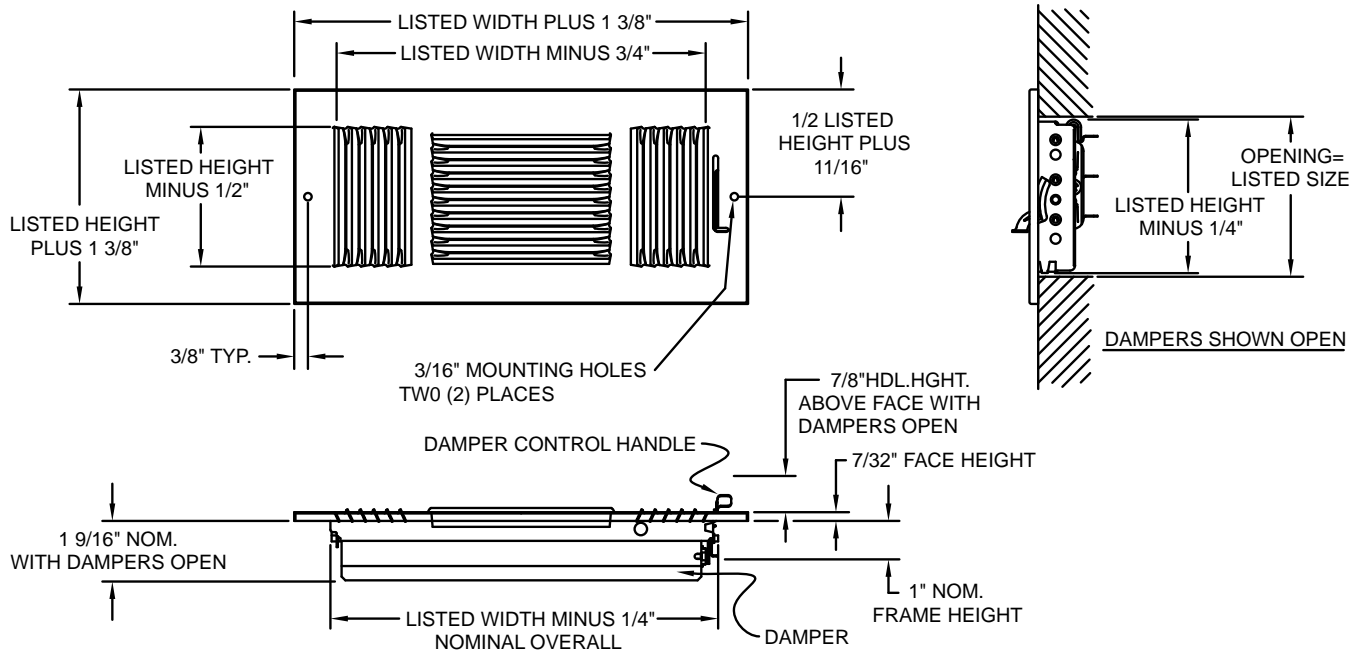
Series 33 Sidewall/Ceiling Register

- Lanced face
- Multi-shutter damper
- 3-way diffusion
- 1/3" spaced fins
- White finish
- Made in the U.S.A.



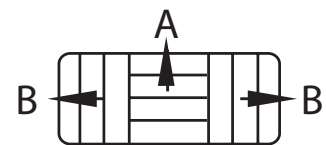
Residential
Sidewall or Ceiling

Dimensional Drawings



Appearance Note

Larger sizes of this product can require two or more damper boxes, with associated actuation levers through the product face.



Performance Data, Series 33

Unit Size (in.)	Overall Size (in.)	Face Velocity	300	400	500	600	700	800	900	1000
		Pressure Loss	.006	.010	.016	.022	.031	.040	.050	.062
8 x 4 Ak .14	9-3/8 x 5-3/8	Cfm	42	56	70	84	98	112	126	140
		Throw A/B	5/2	6/3	7/6	8/6	8/7	9/8	12/8	12/10
8 x 6 Ak .22	9-3/8 x 7-3/8	Cfm	66	88	110	132	154	176	198	220
		Throw A/B	6/2	7/3	8/4	8/6	9/7	12/8	14/7	16/8
10 x 4 Ak .17	11-3/8 x 5-3/8	Cfm	51	68	85	102	119	136	153	170
		Throw A/B	5/3	7/3	8/4	8/6	10/7	12/8	14/7	16/9
10 x 6 Ak .26	11-3/8 x 7-3/8	Cfm	78	104	130	156	182	208	234	260
		Throw A/B	6/3	8/4	9/6	12/6	14/7	16/8	18/9	20/10
10 x 8 Ak .36	11-3/8 x 9-3/8	Cfm	108	144	180	216	252	288	324	360
		Throw A/B	6/4	9/4	12/6	12/8	14/9	18/9	20/10	21/12
12 x 4 Ak .22	13-3/8 x 5-3/8	Cfm	66	88	110	132	154	176	198	220
		Throw A/B	5/3	8/3	9/4	10/5	12/6	14/7	16/8	18/9
12 x 6 Ak .34	13-3/8 x 7-3/8	Cfm	102	136	170	204	238	272	306	340
		Throw A/B	6/4	8/5	10/7	12/8	14/9	18/9	20/10	21/12
12 x 8 Ak .47	13-3/8 x 9-3/8	Cfm	141	188	235	282	329	376	423	470
		Throw A/B	8/4	10/5	12/6	14/9	16/10	20/10	23/11	24/13
14 x 4 Ak .24	15-3/8 x 5-3/8	Cfm	72	96	120	144	168	192	216	240
		Throw A/B	6/3	8/4	8/6	11/6	13/6	15/7	17/8	19/10
14 x 6 Ak .38	15-3/8 x 7-3/8	Cfm	114	152	190	228	266	304	306	340
		Throw A/B	7/3	10/5	12/5	14/7	16/8	17/11	21/10	23/12
14 x 8 Ak .52	15-3/8 x 9-3/8	Cfm	156	208	260	312	364	416	468	520
		Throw A/B	8/4	10/7	14/7	17/9	19/9	22/11	25/12	28/14
16 x 6 Ak .38	17-3/8 x 7-3/8	Cfm	114	152	190	228	266	304	306	340
		Throw A/B	6/3	9/5	10/6	12/8	16/7	18/8	19/9	22/11

Terminal Velocity is 50 fpm

Residential
Sidewall or Ceiling