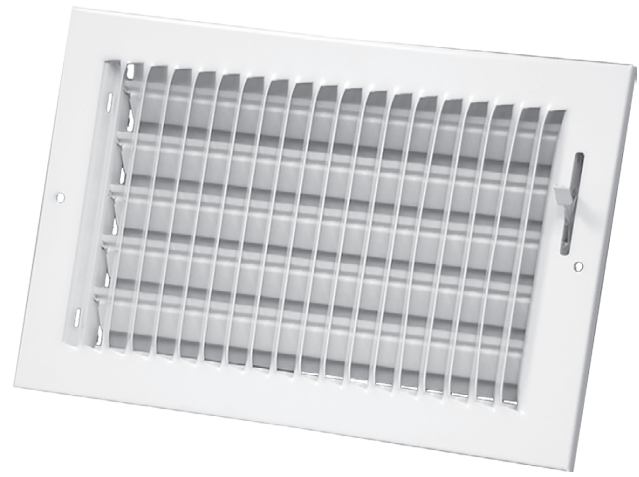
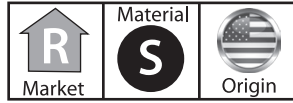
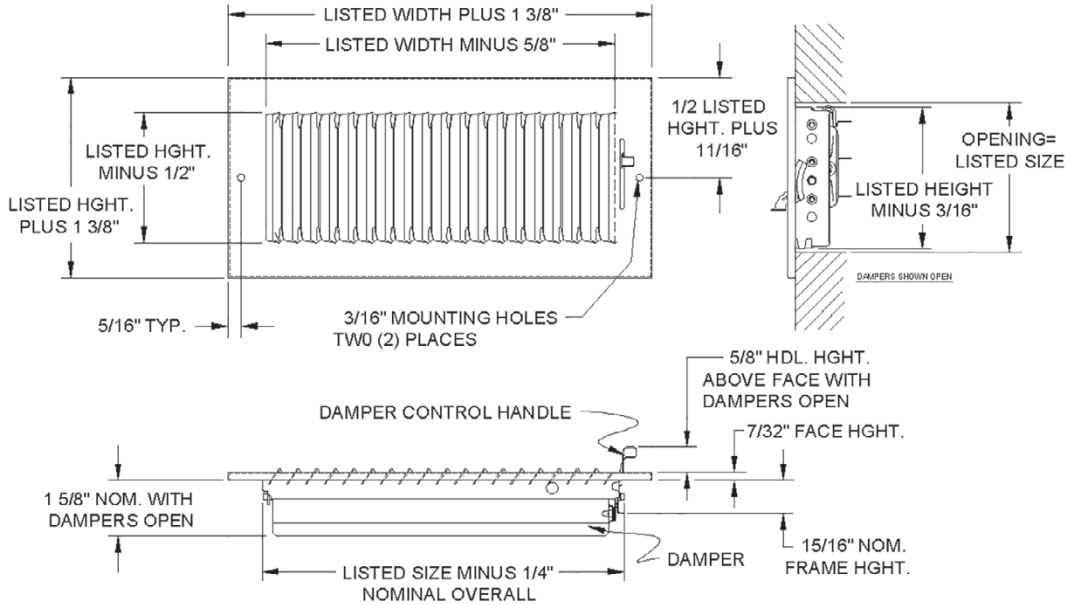


Series 21 Sidewall/Ceiling Register

- Lanced face
- Multi-shutter damper
- 1-way diffusion with right side deflection*
- 1/2" spaced fins
- White finish
- Made in the U.S.A.



Dimensional Drawings



* While right-side deflection is standard, this product is also available with left-side and neutral (horizontal) deflection.

Performance Data, Series 21

Terminal velocity is 75 fpm.

Unit Size (in.)	Overall Size (in.)	Face Velocity	300	400	500	600	700	800	900	1000
		Pressure Loss	.006	.010	.016	.022	.031	.040	.050	.062
8 x 4 Ak .153	9-3/8 x 5-3/8	Cfm	46	61	77	92	107	122	138	153
		Throw	4	5	7	8	10	11	13	14
8 x 6 Ak .243	9-3/8 x 7-3/8	Cfm	73	97	122	146	170	194	219	243
		Throw	5	6	8	9	11	12	14	15
10 x 6 Ak .306	11-3/8 x 7-3/8	Cfm	92	122	153	184	214	245	275	306
		Throw	5	7	10	11	13	14	16	18
12 x 6 Ak .368	13-3/8 x 7-3/8	Cfm	110	147	184	221	258	294	331	368
		Throw	6	8	12	12	14	16	18	20
14 x 6 Ak .431	15-3/8 x 7-3/8	Cfm	130	174	217	261	304	347	391	434
		Throw	7	9	16	14	17	19	21	24
16 x 6 Ak .500	17-3/8 x 7-3/8	Cfm	150	200	250	300	350	400	450	500
		Throw	8	10	16	18	18	20	23	25
18 x 6 Ak .563	19-3/8 x 7-3/8	Cfm	169	225	282	338	394	450	507	563
		Throw	9	12	18	20	22	24	28	31
20 x 6 Ak .625	21-3/8 x 7-3/8	Cfm	188	250	313	375	438	500	563	625
		Throw	10	14	20	22	26	28	32	36