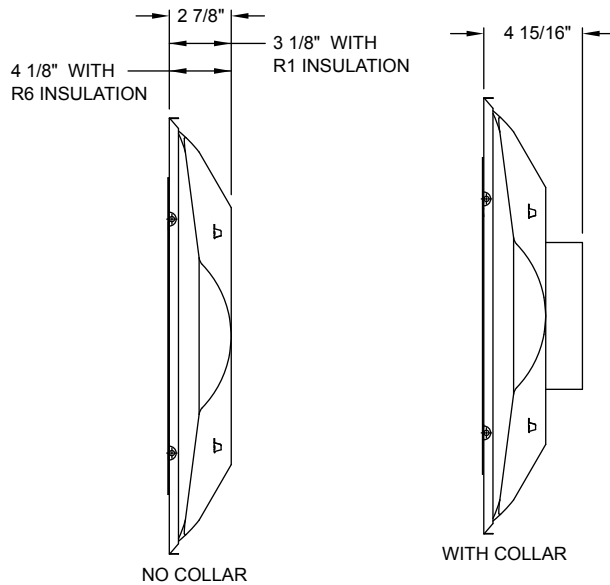
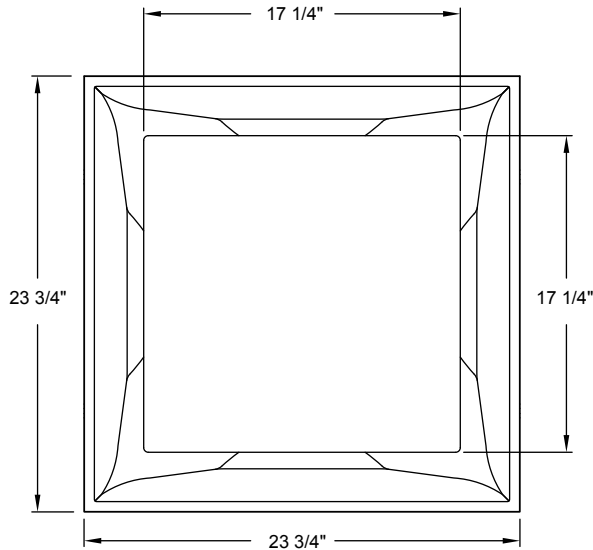




Continental Industries, Inc.
 100 West Windsor Avenue
 Elkhart, Indiana 46514
 Phone: 800.735.5272 • Fax: 574.262.2075
 Email: info@continentalindustries.com
 Web: www.continentalindustries.com

Submittal Drawing & Form



- Description**
- Aluminum Construction with Corner Radius
 - 360° Diffusion
 - No Collar, or 6", 8", 10", 12", 14" Fixed Collar
 - R6 Insulation
 - White finish

Project Details	Submitted by:	AOPD6 Series T-Bar (Lay-In) Panel
Job Title:		
Location:		
Architect:		
Engineer:		
Contractor:	Date:	SD-AOPD6-01