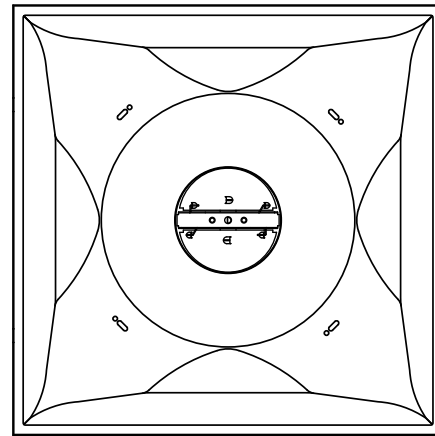
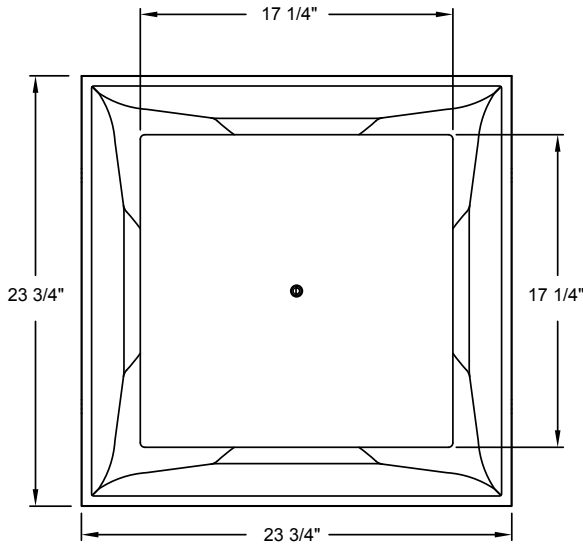


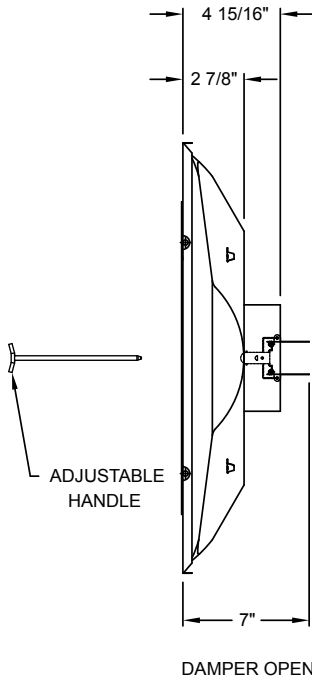


Continental Industries, Inc.
 100 West Windsor Avenue
 Elkhart, Indiana 46514
 Phone: 800.735.5272 • Fax: 574.262.2075
 Email: info@continentalindustries.com
 Web: www.continentalindustries.com

Submittal Drawing & Form



DAMPER CLOSED



DAMPER OPEN

Description
<input type="checkbox"/> Aluminum Plaque with Corner Radius
<input type="checkbox"/> 360° Diffusion
<input type="checkbox"/> Fixed 6", 8", 10", 12", 14" Collar
<input type="checkbox"/> No Insulation
<input type="checkbox"/> 3800 Damper Installed
<input type="checkbox"/> White finish

Project Details	Submitted by:	AOPD NI38D Series T-Bar (Lay-In) Panel
Job Title:		
Location:		
Architect:		
Engineer:		
Contractor:	Date:	SD-AOPDNI38D-01