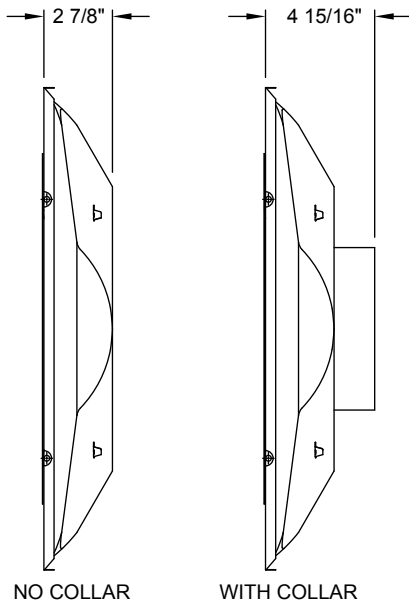
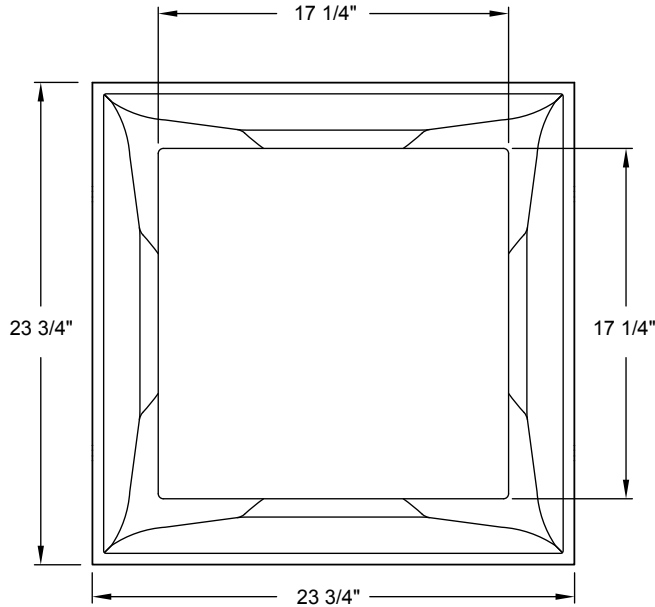




Continental Industries, Inc.  
 100 West Windsor Avenue  
 Elkhart, Indiana 46514  
 Phone: 800.735.5272 • Fax: 574.262.2075  
 Email: info@continentalindustries.com  
 Web: www.continentalindustries.com

# Submittal Drawing & Form



- | Description  |
|--|
| <input type="checkbox"/> Aluminum Plaque with Corner Radius        |
| <input type="checkbox"/> 360° Diffusion                            |
| <input type="checkbox"/> No Collar and Fixed 6", 8", 10", 12", 14" |
| <input type="checkbox"/> No Insulation                             |
| <input type="checkbox"/> White finish                              |

Project Details	Submitted by:	AOPD NI Series T-Bar (Lay-In) Panel
Job Title:		
Location:		
Architect:		
Engineer:		
Contractor:		
<b>Date:</b>		<b>SD-AOPDNI-01</b>