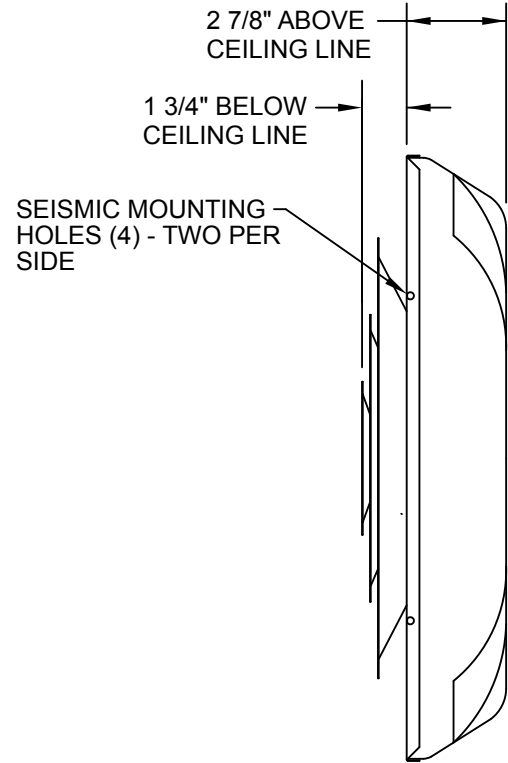
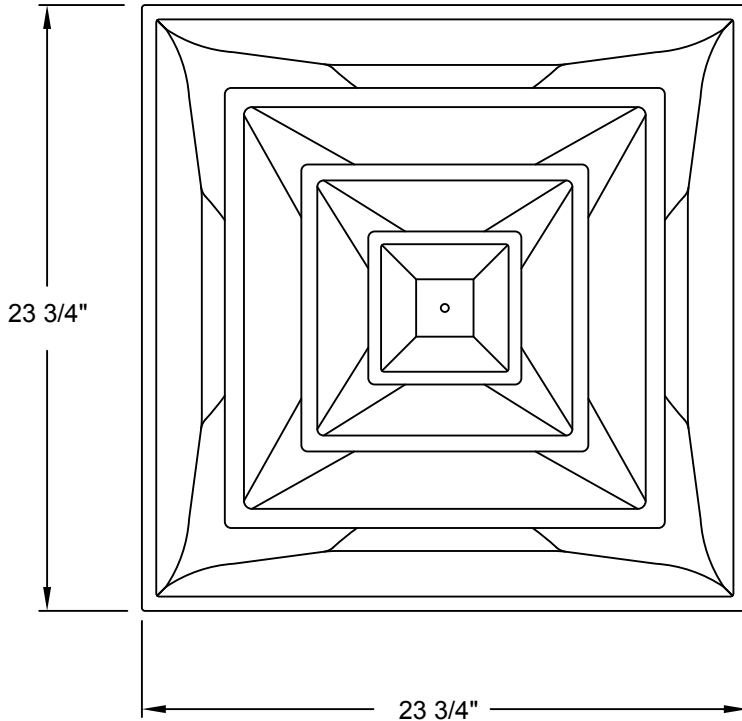


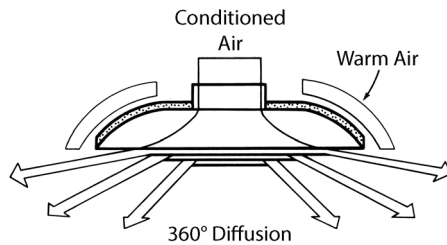


Continental Industries, Inc.
 100 West Windsor Avenue
 Elkhart, Indiana 46514
 Phone: 800.735.5272 • Fax: 574.262.2075
 Email: info@continentalindustries.com
 Web: www.continentalindustries.com

Submittal Drawing & Form



MOLDED R6 PLENUM (PRESCORED)
 CUT TO FIT COLLAR, 6", 8", 10", 12" & 14"



- | Description |
|--|
| <input type="checkbox"/> High volume air delivery |
| <input type="checkbox"/> 360° diffusion |
| <input type="checkbox"/> 3-cone, drop-down design |
| <input type="checkbox"/> Aluminum construction |
| <input type="checkbox"/> Integrated R6 formed plenum |
| <input type="checkbox"/> No collar |
| <input type="checkbox"/> Seismic tabs |
| <input type="checkbox"/> White electrocoat finish |

Project Details	Submitted by:	ABHV P6 Series T-Bar (lay-in) Diffuser
Job Title:		
Location:		
Architect:		
Engineer:		
Contractor:	Date:	SD-ABHVP6-01