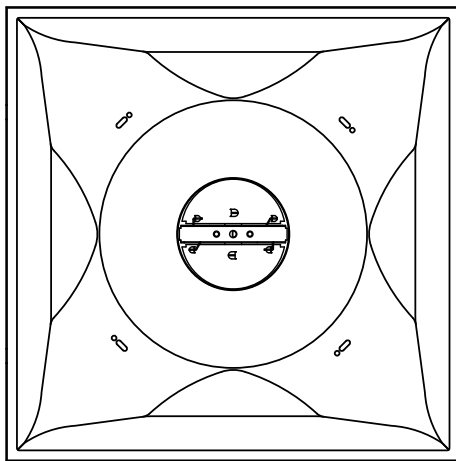
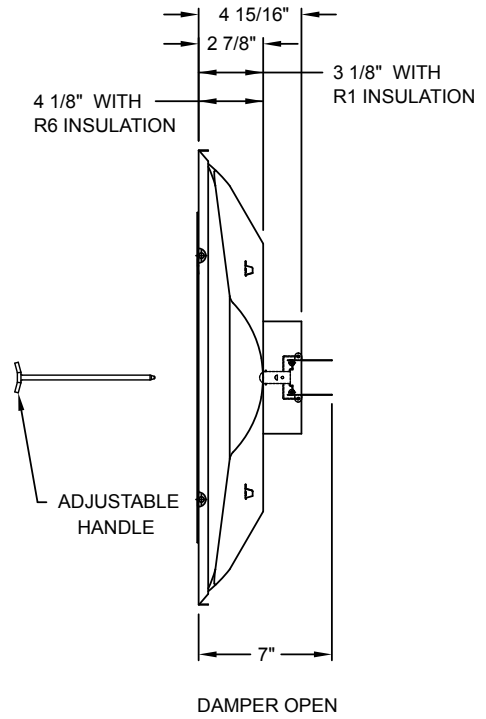
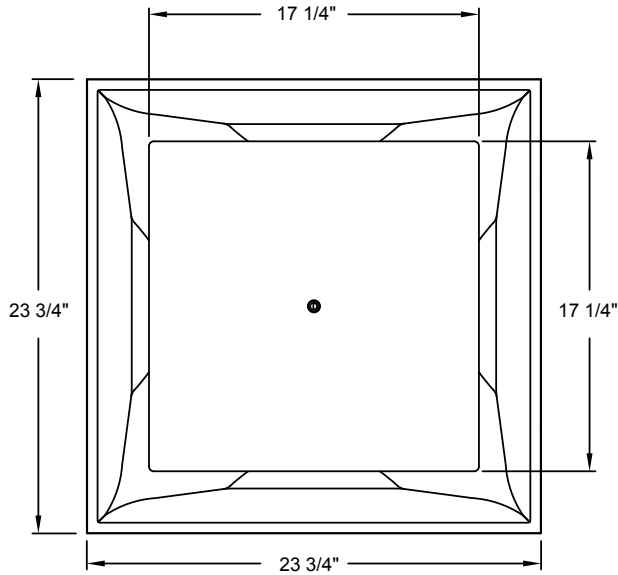




Continental Industries, Inc.
 100 West Windsor Avenue
 Elkhart, Indiana 46514
 Phone: 800.735.5272 • Fax: 574.262.2075
 Email: info@continentalindustries.com
 Web: www.continentalindustries.com

Submittal Drawing & Form



DAMPER CLOSED

- | Description | |
|--------------------------|---------------------------------------|
| <input type="checkbox"/> | Heavy Gauge Plaque with Corner Radius |
| <input type="checkbox"/> | 360° Diffusion |
| <input type="checkbox"/> | Fixed Collar 6", 8", 10", 12", 14" |
| <input type="checkbox"/> | 3800 Damper Installed |
| <input type="checkbox"/> | R1 Insulation |
| <input type="checkbox"/> | White finish |

Project Details	Submitted by:	OPD Series T-Bar (Lay-In) Panel
Job Title:		
Location:		
Architect:		
Engineer:		
Contractor:		
Date:		SD-OPD38-01