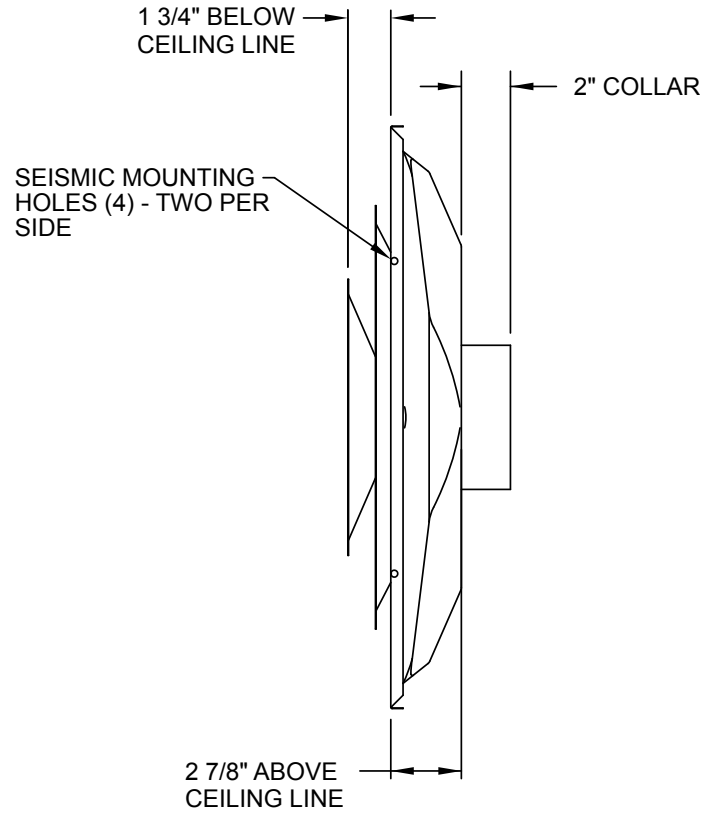
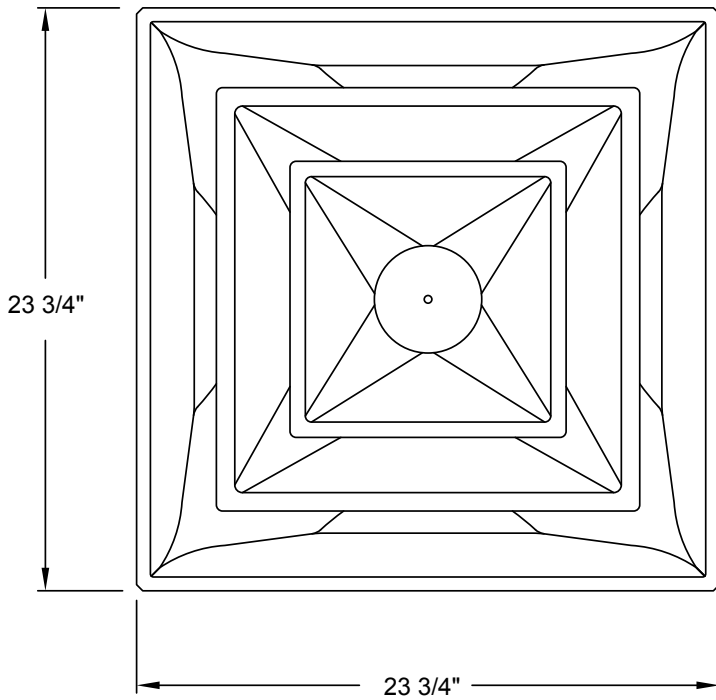




Continental Industries, Inc.  
 100 West Windsor Avenue  
 Elkhart, Indiana 46514  
 Phone: 800.735.5272 • Fax: 574.262.2075  
 Email: info@continentalindustries.com  
 Web: www.continentalindustries.com

# Submittal Drawing & Form



- | Description  |
|--|
| <input type="checkbox"/> Steel Construction                                |
| <input type="checkbox"/> 2-Tier Diffusion                                  |
| <input type="checkbox"/> 360° Pattern                                      |
| <input type="checkbox"/> No Collar or Fixed 6", 8", 10", 12" or 14" collar |
| <input type="checkbox"/> No Insulation                                     |
| <input type="checkbox"/> White finish                                      |

Project Details	Submitted by:	FPDNI Series T-Bar (Lay-in) Diffuser
Job Title:		
Location:		
Architect:		
Engineer:		
Contractor:		
<b>Date:</b>		<b>SD-FPDNI-01</b>