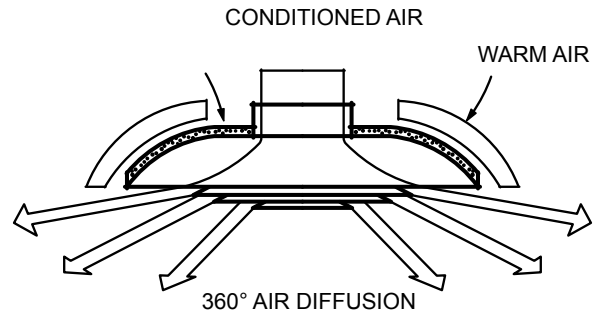


DHV SERIES, T-BAR (LAY-IN) DIFFUSER



Description

- Alternative Design to HVS Series
- 360° Diffusion
- 3-Cone, Drop-Down Design
- Steel Construction
- R6 Insulation
- Models with no Collar and Fixed Collar Models in Sizes: 6, 8, 10, 12, & 14-Inch Diameters
- Seismic Tabs
- White finish

| Project Details | Submitted by: | <h2>DHV I6 Series</h2> <h3>T-Bar (Lay-In) Diffuser</h3> |
|-----------------|---------------|---|
| Job Title: | | |
| Location: | | |
| Architect: | | |
| Engineer: | | |
| Contractor: | Date: | SD-DHV16-01 |