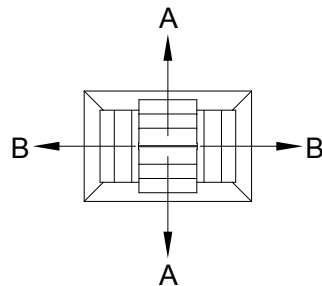
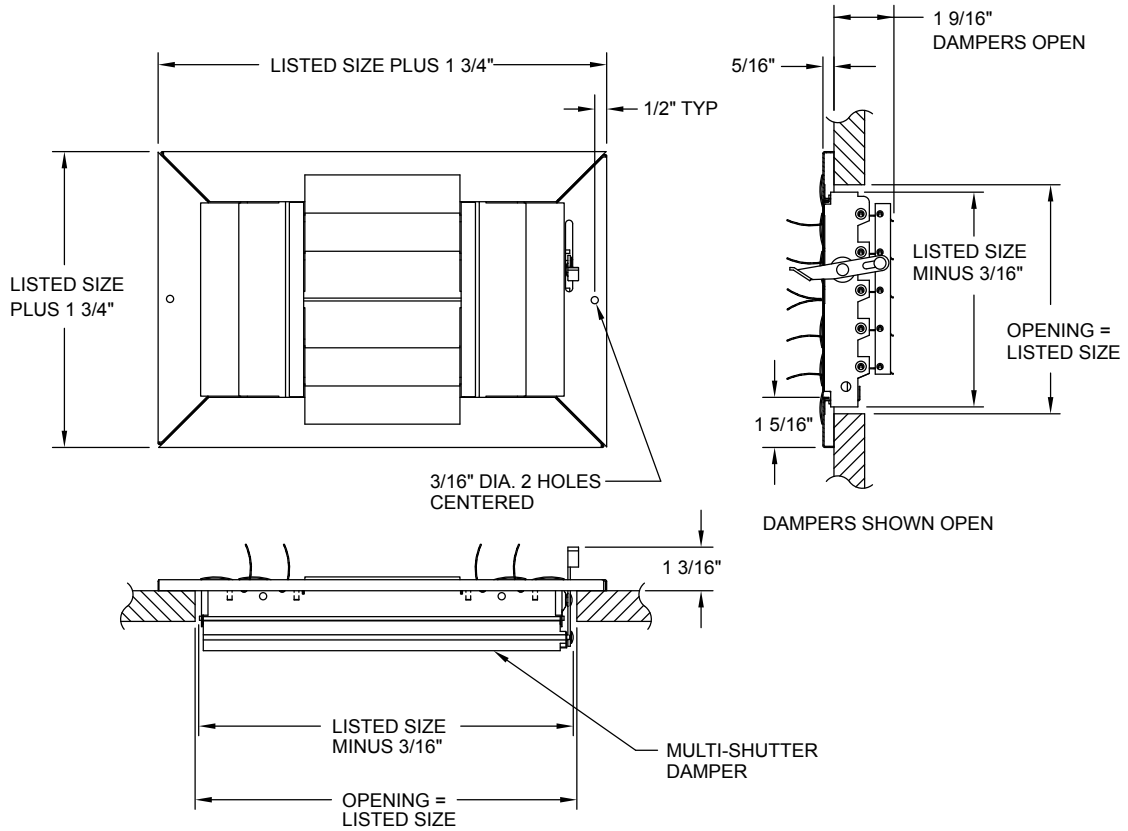




Continental Industries, Inc.  
 100 West Windsor Avenue  
 Elkhart, Indiana 46514  
 Phone: 800.735.5272 • Fax: 574.262.2075  
 Email: info@continentalindustries.com  
 Web: www.continentalindustries.com

# Submittal Drawing & Form



| Description  |
|--|
| <input type="checkbox"/> Adjustable, Curved Blades |
| <input type="checkbox"/> Multi-Shutter Damper      |
| <input type="checkbox"/> 4-Way Deflection          |
| <input type="checkbox"/> Aluminum Construction     |
| <input type="checkbox"/> Standard White Finish     |

| Project Details | Submitted by: | AACB Series<br>AACB4 |
|-----------------|---------------|----------------------|
| Job Title:      |               |                      |
| Location:       |               |                      |
| Architect:      |               |                      |
| Engineer:       |               |                      |
| Contractor:     | Date:         | SD-AACB4-01          |