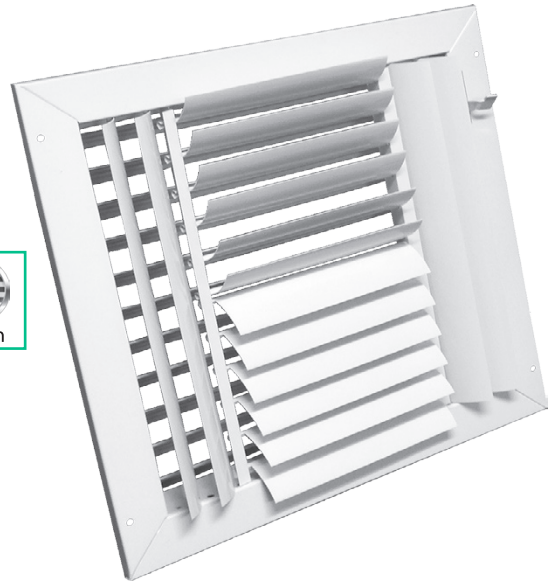


Series SACB4/AACB4

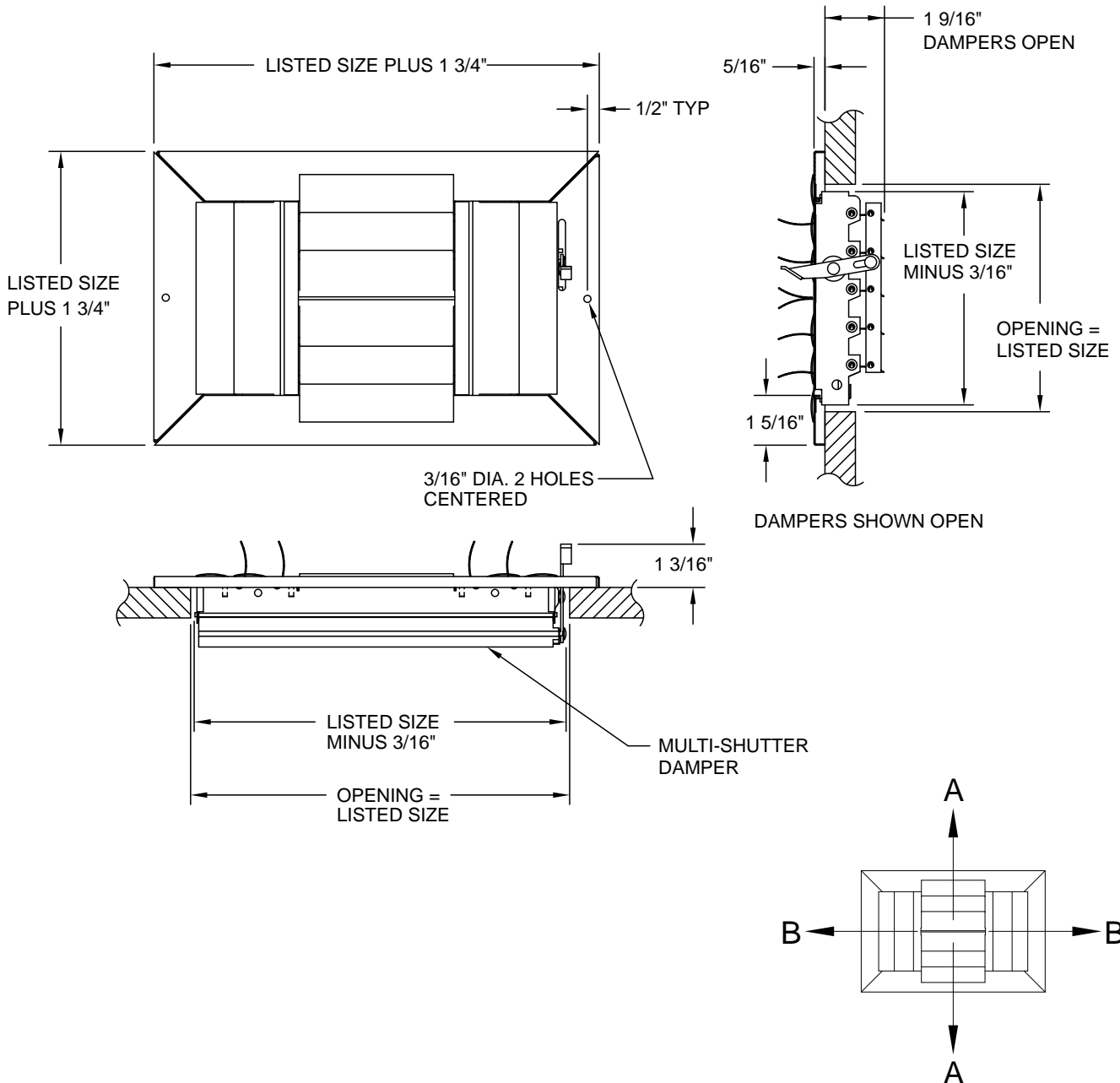
Adjustable Curved Blade Register (4-way)

- Adjustable, curved blades
- Multi-shutter damper
- 4-way deflection
- Steel construction (SACB4)
- Aluminum construction (AACB4)
- White finish (standard) or Mill finish
- Made in the U.S.A.



Residential
Sidewall or Ceiling

Dimensional Drawings



Performance Data, Series SACB4/AACB4

Unit Size	Face Velocity	300	400	500	600	700	800	900	1000	1100	1200
	Pressure Loss	.007	.010	.016	.022	.031	.040	.050	.062	.075	.090
6 x 6 Ak .090	Cfm	27	35	45	55	65	70	80	90	100	110
	Throw A	1.5	2.0	2.5	3.0	3.5	4.0	4.5	5.0	5.0	5.5
	Throw B	1.5	2.0	3.0	3.5	4.0	4.5	5.0	6.0	6.5	7.0
8 x 8 Ak .160	Cfm	48	2	80	95	110	130	145	160	175	190
	Throw	1.5	2.5	3.5	4.0	4.5	5.0	6.0	6.5	7.0	7.5
		2.5	3.5	4.0	5.0	5.5	7.0	7.5	8.5	9.0	10.0
10 x 10 Ak .240	Cfm	72	95	120	145	170	190	215	240	265	290
	Throw	2.0	3.0	4.0	5.0	5.5	6.5	7.5	8.0	9.0	10.0
		2.5	3.5	4.5	5.5	6.0	7.0	8.0	9.0	10.0	11.0
12 x 12 Ak .350	Cfm	105	140	175	210	245	280	315	350	385	420
	Throw A	2.5	3.5	4.5	6.0	6.5	7.5	8.5	9.5	10.5	12.0
	Throw B	3.5	4.0	5.0	6.5	7.5	8.5	9.5	10.0	11.0	13.0
14 x 14 Ak .480	Cfm	144	190	240	290	335	385	430	480	530	575
	Throw A	3.0	4.0	5.0	6.5	7.5	8.5	9.5	10.0	12.0	13.0
	Throw B	3.5	5.0	6.5	7.5	9.0	10.0	11.0	12.5	14.0	15.0

Terminal velocity is 75 fpm.

Residential
Sidewall or Ceiling

Mounting Hole Guide for Adjustable Curve Blade Products

The following products in this section have embossed (recessed) mounting holes.

Series	Page #
SACB1 & AACB1	70
SACBG1 & AACBG1	72
SACB2 & AACB2	74
SACBG2 & AACBG2	76
SACB3 & AACB3	78
SACBG3 & AACBG3	81
SACB4 & AACB4	84
SACBG4 & AACBG4	86

The following chart and diagrams apply to these products.

