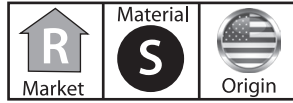


Series SACB3/AACB3

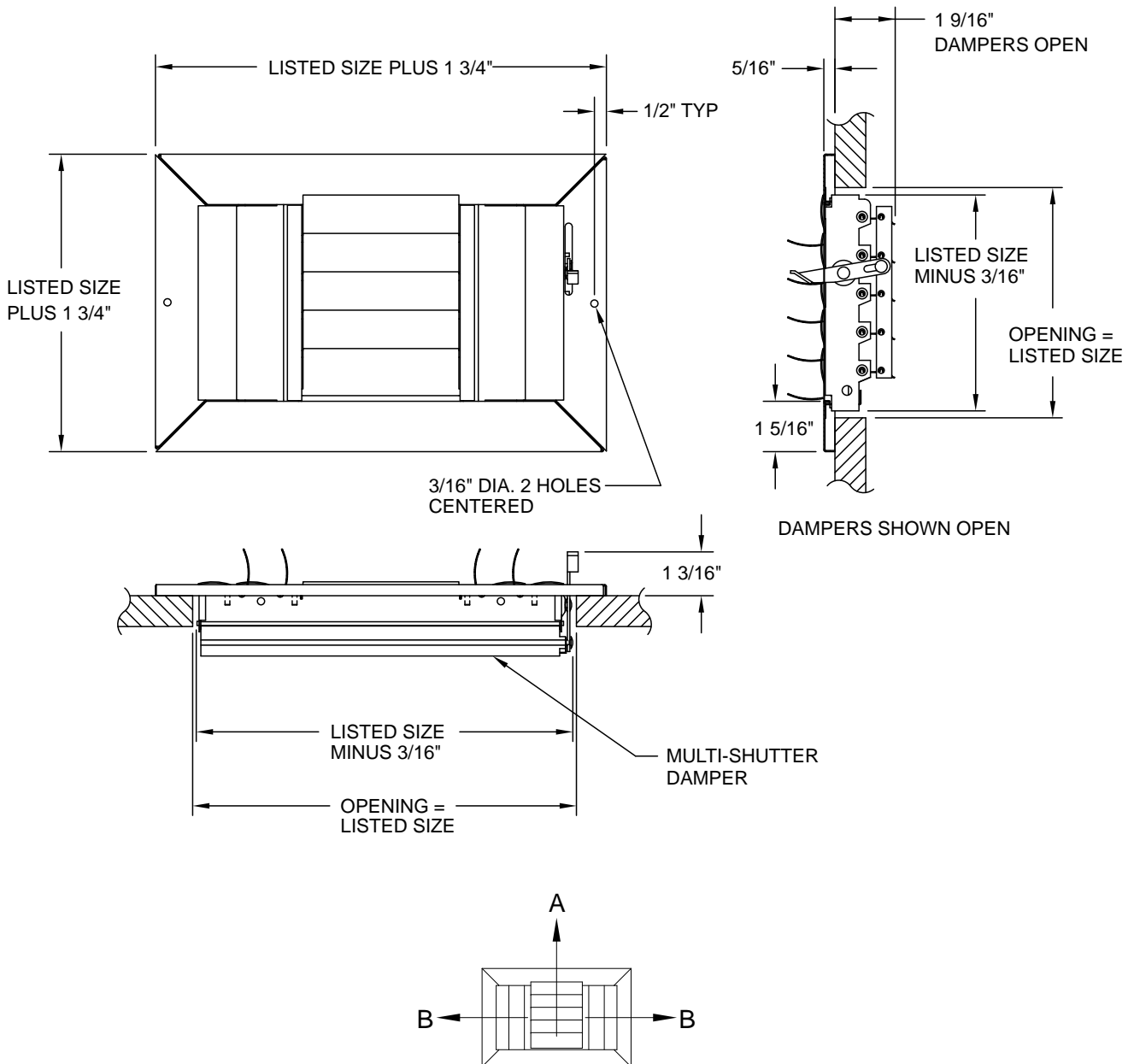
Adjustable Curved Blade Register (3-way)

- Adjustable, curved blades
- Multi-shutter damper
- 3-way deflection
- Steel construction (SACB3)
- Aluminum construction (AACB3)
- White finish (standard) or Mill finish
- Made in the U.S.A.



Residential
Sidewall or Ceiling

Dimensional Drawings



Performance Data, Series SACB3/AACB3

Unit Size	Face Velocity	300	400	500	600	700	800	900	1000	1100	1200
	Pressure Loss	.007	.010	.016	.022	.031	.040	.050	.062	.075	.090
6 x 6 Ak .090	Cfm	27	35	45	55	65	70	80	90	100	110
	Throw A	1.5	2.0	2.5	3.0	3.5	4.0	4.5	5.0	5.0	5.5
	Throw B	1.5	2.0	3.0	3.5	4.0	4.5	5.0	6.0	6.5	7.0
8 x 4 Ak .080	Cfm	24	32	40	48	56	64	72	80	88	96
	Throw A	1.5	2.0	2.5	3.0	3.5	4.0	4.5	5.0	5.0	5.5
	Throw B	1.5	2.0	3.0	3.5	4.5	5.0	5.5	6.0	7.0	7.5
8 x 6 Ak .100	Cfm	30	40	50	60	70	80	90	100	110	120
	Throw A	1.5	2.0	2.5	3.0	3.5	4.0	4.5	5.0	5.5	6.0
	Throw B	1.5	2.5	3.0	3.5	4.5	5.0	5.5	6.0	7.0	7.5
8 x 8 Ak .160	Cfm	48	2	80	95	110	130	145	160	175	190
	Throw A	1.5	2.5	3.5	4.0	4.5	5.0	6.0	6.5	7.0	7.5
	Throw B	2.5	3.5	4.0	5.0	5.5	7.0	7.5	8.5	9.0	10.0
10 x 4 Ak .095	Cfm	29	38	48	57	67	76	86	95	105	114
	Throw A	1.5	2.0	2.5	3.0	3.5	4.0	4.5	5.0	5.0	5.5
	Throw B	1.5	2.0	3.0	3.5	4.0	4.5	5.0	6.0	6.5	7.0
10 x 6 Ak .150	Cfm	45	60	75	90	105	120	135	150	165	180
	Throw A	1.5	2.5	3.0	4.0	4.5	5.0	5.5	6.5	7.0	7.5
	Throw B	2.0	3.0	3.5	4.5	5.0	6.0	6.5	7.0	80.0	9.0
10 x 8 Ak .200	Cfm	60	80	100	120	140	160	180	200	220	240
	Throw A	1.5	2.5	3.5	4.5	5.0	5.5	6.5	7.0	8.0	8.5
	Throw B	2.0	3.0	4.0	5.5	5.5	6.5	7.0	8.0	8.5	9.5
10 x 10 Ak .240	Cfm	72	95	120	145	170	190	215	240	265	290
	Throw A	2.0	3.0	4.0	5.0	5.5	6.5	7.5	8.0	9.0	10.0
	Throw B	2.5	3.5	4.5	5.5	6.0	7.0	8.0	9.0	10.0	11.0
12 x 4 Ak .100	Cfm	30	40	50	60	70	80	90	100	110	120
	Throw A	1.5	2.0	2.5	3.0	3.5	4.0	4.5	5.0	5.5	6.0
	Throw B	1.5	2.5	3.0	3.5	4.5	5.0	5.5	6.0	7.0	7.5
12 x 6 Ak .180	Cfm	54	70	90	110	125	145	160	180	200	215
	Throw A	1.5	2.5	3.5	4.5	5.0	5.5	6.5	7.0	8.0	8.5
	Throw B	2.0	3.0	4.0	5.5	5.5	6.5	7.0	8.0	8.5	9.5
12 x 8 Ak .230	Cfm	69	92	115	138	161	184	207	230	253	276
	Throw A	2.0	3.0	4.0	5.0	5.5	6.5	7.5	8.0	9.0	10.0
	Throw B	2.5	3.5	4.5	5.5	6.0	7.0	8.0	9.0	10.0	11.0
12 x 10 Ak .290	Cfm	87	115	145	175	205	230	260	290	320	350
	Throw A	2.5	3.5	4.5	5.0	6.5	7.0	8.0	9.0	9.5	10.5
	Throw B	3.0	4.0	5.0	5.5	7.0	7.5	8.5	9.5	10.5	11.0
12 x 12 Ak .350	Cfm	105	140	175	210	245	280	315	350	385	420
	Throw A	2.5	3.5	4.5	6.0	6.5	7.5	8.5	9.5	10.5	12.0
	Throw B	3.5	4.0	5.0	6.5	7.5	8.5	9.5	10.0	11.0	13.0
14 x 4 Ak .130	Cfm	39	53	65	78	90	105	118	130	143	155
	Throw A	1.5	2.5	3.5	4.0	4.5	5.0	6.0	6.5	7.0	7.5
	Throw B	2.5	3.5	4.0	5.0	5.5	7.0	7.5	8.5	9.0	10.0

Residential
Sidewall or Ceiling

Performance Data, Series SACB3/AACB3 (continued)

Unit Size	Face Velocity	300	400	500	600	700	800	900	1000	1100	1200
	Pressure Loss	.007	.010	.016	.022	.031	.040	.050	.062	.075	.090
14 x 6 Ak .210	Cfm	63	85	105	125	145	170	190	210	230	250
	Throw A	1.5	2.5	3.5	4.0	5.0	6.0	6.5	7.0	8.0	10.5
	Throw B	2.0	3.5	4.5	5.0	5.5	6.5	7.5	8.5	9.5	11.5
14 x 8 Ak .265	Cfm	80	106	133	159	186	212	239	265	292	318
	Throw A	2.5	3.5	4.5	5.0	6.5	7.0	8.0	9.0	9.5	10.5
	Throw B	3.0	4.0	5.0	5.5	7.0	7.5	8.5	9.5	10.5	11.0
14 x 10 Ak. 345	Cfm	104	138	173	207	242	276	311	345	380	414
	Throw A	2.5	3.5	4.5	6.0	6.5	7.5	8.5	9.5	10.5	12.0
	Throw B	3.5	4.0	5.0	6.5	7.5	8.5	9.5	10.0	11.0	13.0
14 x 12 Ak .420	Cfm	126	170	210	250	290	340	380	420	460	500
	Throw A	2.5	3.5	4.5	6.0	7.0	8.0	9.0	10.0	11.0	12.5
	Throw B	3.5	4.5	5.5	7.0	8.0	9.0	10.0	11.0	12.5	14.0
14 x 14 Ak .480	Cfm	144	190	240	290	335	385	430	480	530	575
	Throw A	3.0	4.0	5.0	6.5	7.5	8.5	9.5	10.0	12.0	13.0
	Throw B	3.5	5.0	6.5	7.5	9.0	10.0	11.0	12.5	14.0	15.0

Residential
Sidewall or Ceiling

Terminal velocity is 75 fpm.

Mounting Hole Guide for Adjustable Curve Blade Products

The following products in this section have embossed (recessed) mounting holes.

Series	Page #
SACB1 & AACB1	70
SACBG1 & AACBG1	72
SACB2 & AACB2	74
SACBG2 & AACBG2	76
SACB3 & AACB3	78
SACBG3 & AACBG3	81
SACB4 & AACB4	84
SACBG4 & AACBG4	86

The following chart and diagrams apply to these products.

