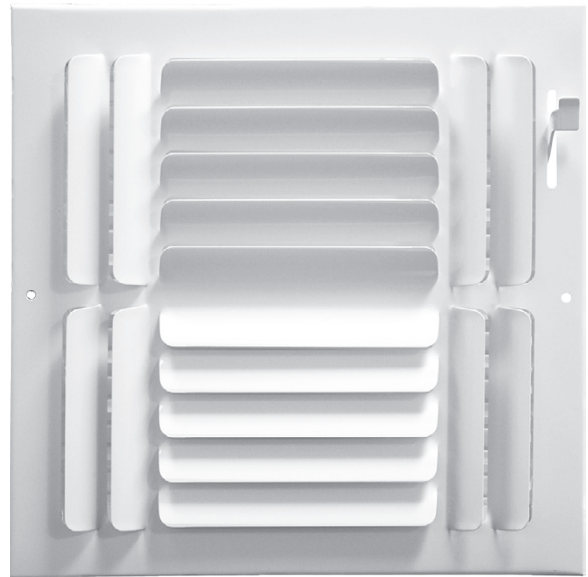
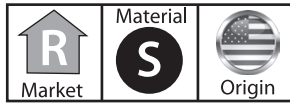
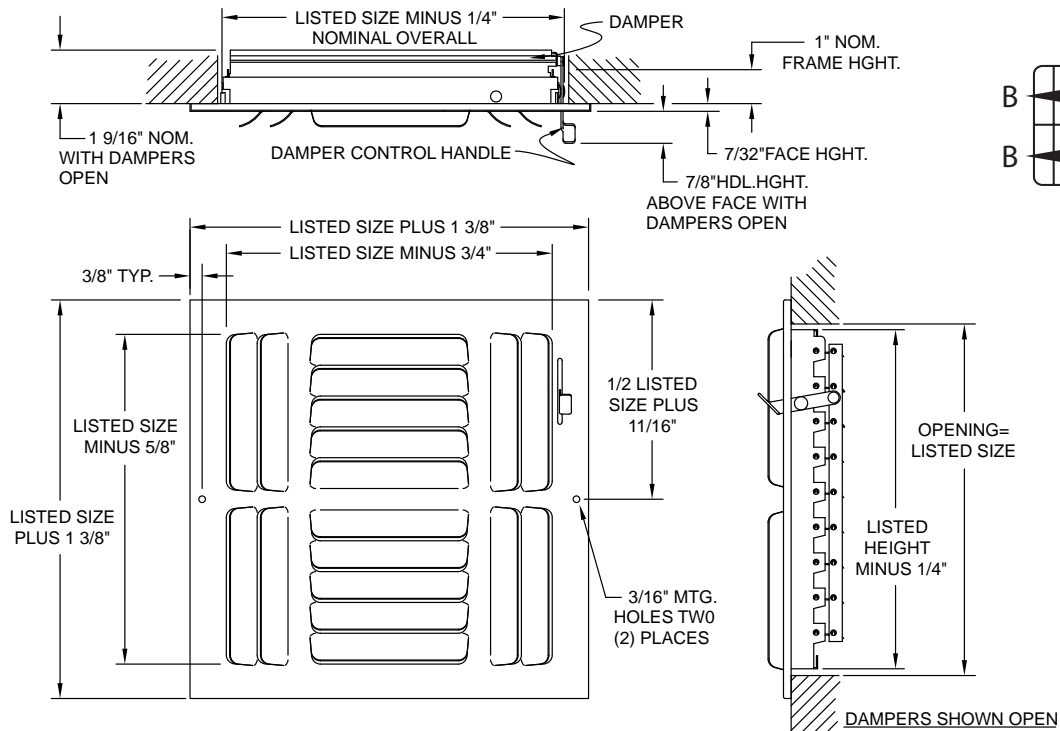


Series C4 Curved Blade Sidewall/Ceiling Register

- Multi-shutter damper
- 4-way diffusion
- White finish
- Made in the U.S.A.



Dimensional Drawings



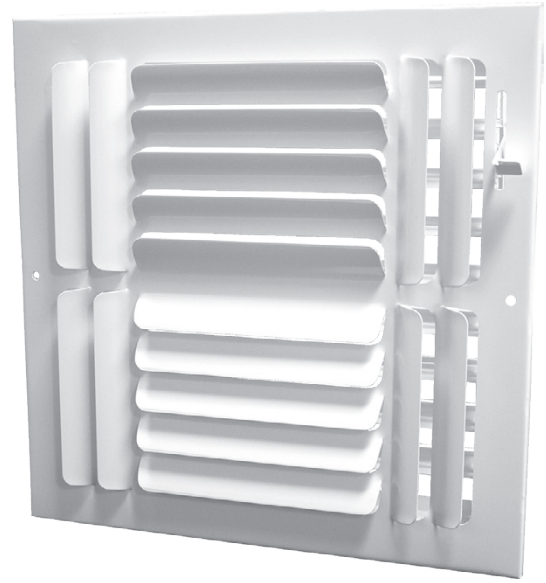
Performance Data, Series C4

Terminal Velocity of 75 fpm

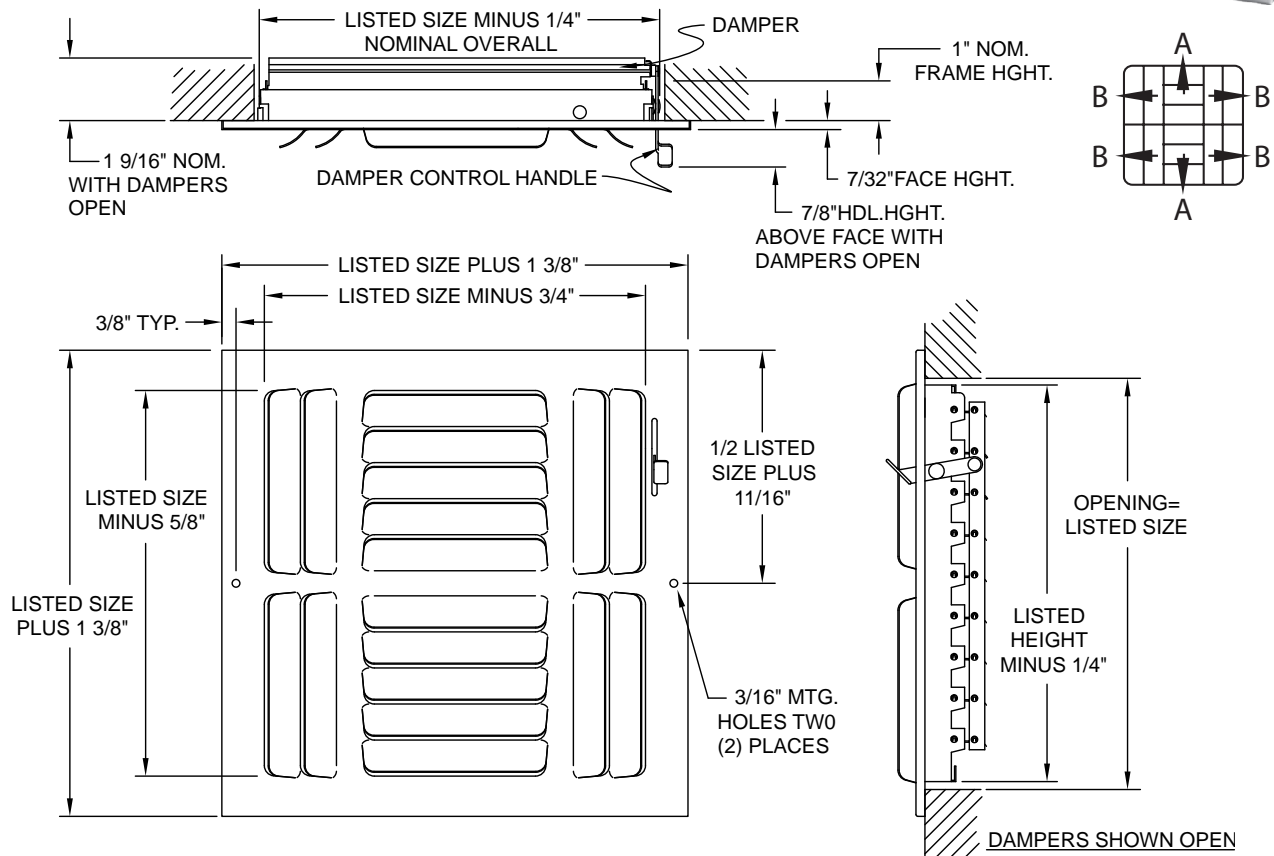
Unit Size (in.)	Overall Size (in.)	Face Velocity	300	400	500	600	700	800	900	1000
			Pressure Loss	.006	.010	.016	.022	.031	.040	.050
6 x 6 Ak .090	7-3/8 x 7-3/8	Cfm	27	36	45	54	63	72	81	76
		Throw A/B	1.5/1	2/1	3/1	4/2	5/2	5/3	5.5/3	6/4
8 x 8 Ak .153	9-3/8 x 9-3/8	Cfm	46	61	77	79	92	122	138	153
		Throw A/B	2/1	4/2	5/2	5/3	6/3	6/4	8/4	8/5
10 x 10 Ak .264	11-3/8 x 11-3/8	Cfm	80	106	132	158	185	211	238	264
		Throw A/B	2/1	4/1	5/2	5/3	6/2	7/4	8/5	9/5
12 x 12 Ak .382	13-3/8 x 13-3/8	Cfm	115	153	191	229	267	306	344	382
		Throw A/B	3/1	4/2	5/2	6/3	7/4	9/5	10/6	11/6
14 x 14 Ak .528	15-3/8 x 15-3/8	Cfm	158	211	264	317	370	422	475	528
		Throw A/B	4/1	5/2	6/3	8/4	9/5	11/5	12/7	13/8
16 x 16 Ak .646	17-3/8 x 17-3/8	Cfm	194	258	323	388	452	517	581	646
		Throw A/B	4/2	5/3	7/3	8/5	10/6	11/7	13/8	15/8

Series AC4 Curved Blade Sidewall/Ceiling Register

- Multi-shutter damper
- 4-way diffusion
- Aluminum construction
- White finish
- Made in the U.S.A.



Dimensional Drawings



Residential
Sidewall or Ceiling

Performance Data, Series AC4

Unit Size (in.)	Overall Size (in.)	Face Velocity	300	400	500	600	700	800	900	1000
		Pressure Loss	.006	.010	.016	.022	.031	.040	.050	.062
6 x 6 Ak .090	7-3/8 x 7-3/8	Cfm	27	36	45	54	63	72	81	76
		Throw A/B	1.5/1	2/1	3/1	4/2	5/2	5/3	5.5/3	6/4
8 x 8 Ak .153	9-3/8 x 9-3/8	Cfm	46	61	77	79	92	122	138	153
		Throw A/B	2/1	4/2	5/2	5/3	6/3	6/4	8/4	8/5
10 x 10 Ak .264	11-3/8 x 11-3/8	Cfm	80	106	132	158	185	211	238	264
		Throw A/B	2/1	4/1	5/2	5/3	6/2	7/4	8/5	9/5
12 x 12 Ak .382	13-3/8 x 13-3/8	Cfm	115	153	191	229	267	306	344	382
		Throw A/B	3/1	4/2	5/2	6/3	7/4	9/5	10/6	11/6

Terminal Velocity of 75 fpm