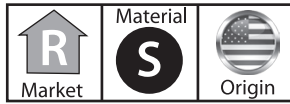


# Series C2H

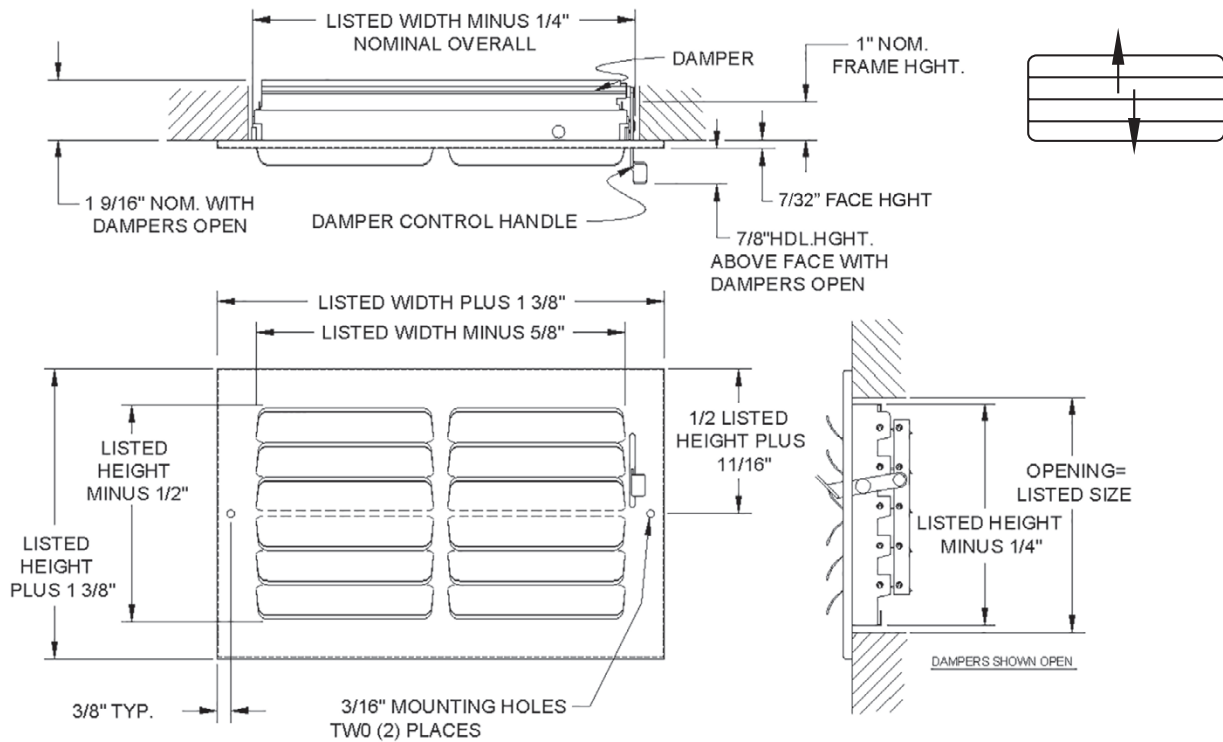
## Curved Blade

### Sidewall/Ceiling Register

- Multi-shutter damper
- 2-way diffusion
- White finish
- Made in the U.S.A.



### Dimensional Drawings



Residential Sidewall or Ceiling

### Performance Data, Series C2H

Unit Size (in.)	Overall Size (in.)	Face Velocity	300	400	500	600	700	800	900	1000
			Pressure Loss	.006	.010	.016	.022	.031	.040	.050
8 x 4 Ak .076	9-3/8 x 5-3/8	Cfm	23	30	38	46	53	61	68	76
		Throw	3.5	4.5	6	7	8	9.5	11	12
8 x 6 Ak .125	9-3/8 x 7-3/8	Cfm	38	50	63	75	88	100	113	125
		Throw	4	5.5	7	8.5	10	11	13	14
8 x 8 Ak .160	9-3/8 x 9-3/8	Cfm	48	64	80	96	112	128	144	160
		Throw	4.5	6.5	8	9.5	11	13	14	16
10 x 4 Ak .104	11-3/8 x 5-3/8	Cfm	31	42	52	62	73	83	94	104
		Throw	4	5.5	7	8.5	10	11	13	14
10 x 6 Ak .153	11-3/8 x 7-3/8	Cfm	46	61	77	92	107	122	138	153
		Throw	5	6.5	8	9.5	11	13	15	16

## Performance Data, Series C2H (continued)

Unit Size (in.)	Overall Size (in.)	Face Velocity	300	400	500	600	700	800	900	1000
		Pressure Loss	.006	.010	.016	.022	.031	.040	.050	.062
10 x 8 Ak .208	11-3/8 x 9-3/8	Cfm	62	83	104	125	146	166	187	208
		Throw	5.5	7.5	9	11	13	15	16	18
12 x 4 Ak .125	13-3/8 x 5-3/8	Cfm	38	50	63	75	88	100	113	125
		Throw	4.5	6	7.5	9	11	12	13	15
12 x 6 Ak .194	13-3/8 x 7-3/8	Cfm	58	78	97	116	136	155	175	194
		Throw	5.5	7	9	10	12	14	16	18
12 x 8 Ak .257	13-3/8 x 9-3/8	Cfm	77	103	129	154	180	206	231	257
		Throw	6	8	10	12	14	16	18	20
14 x 6 Ak .229	15-3/8 x 7-3/8	Cfm	69	92	115	137	160	183	206	229
		Throw	6	7.5	9.5	11	13	15	17	19
14 x 8 Ak .306	15-3/8 x 9-3/8	Cfm	92	122	153	184	214	245	275	306
		Throw	6.5	8.5	11	13	15	17	19	21

Terminal Velocity of 75 fpm

Residential  
Sidewall or Ceiling

## Series PAINT Touch-up Paint Pens

- Reusable paint pens
- Exact match to Continental White and Golden Brown



# Series AC2H

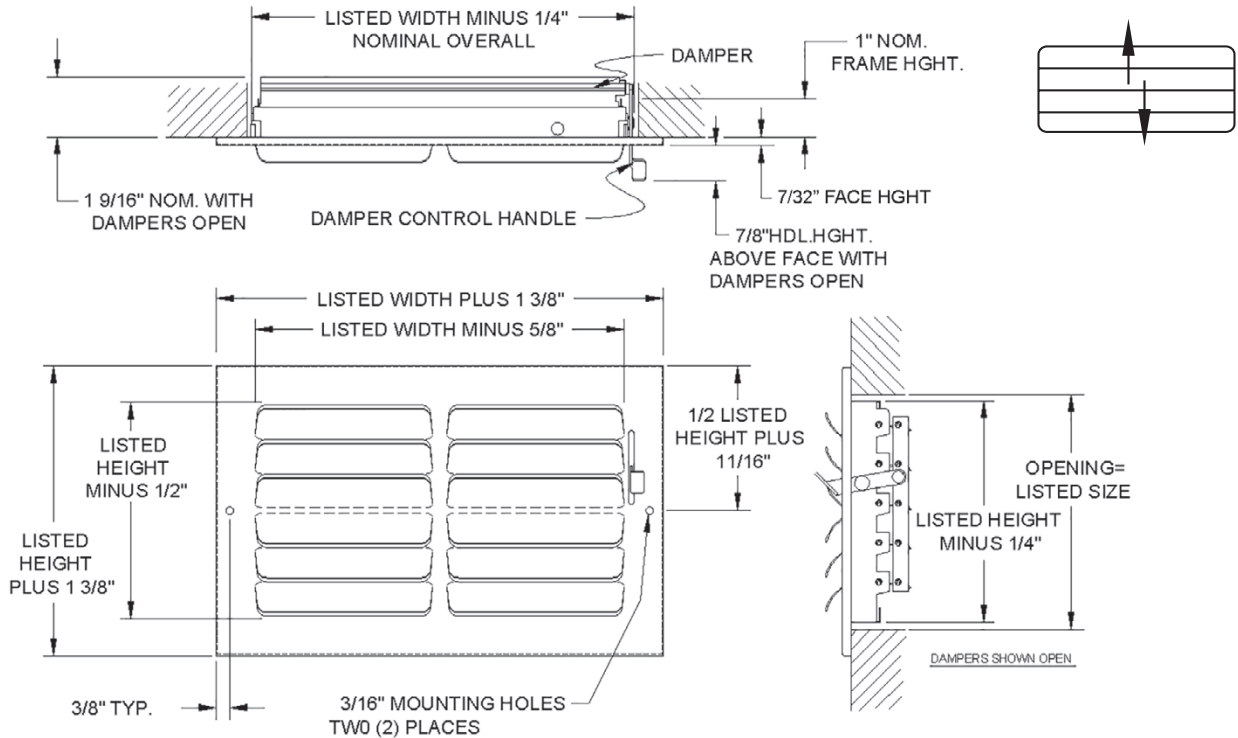
## Curved Blade

### Sidewall/Ceiling Register

- Multi-shutter damper
- 2-way diffusion
- Aluminum construction
- White finish
- Made in the U.S.A.



### Dimensional Drawings



Residential Sidewall or Ceiling

### Performance Data, Series AC2H

Unit Size (in.)	Overall Size (in.)	Face Velocity	300	400	500	600	700	800	900	1000
		Pressure Loss	.006	.010	.016	.022	.031	.040	.050	.062
10 x 4 Ak .104	11-3/8 x 5-3/8	Cfm	31	42	52	62	73	83	94	104
		Throw	4	5.5	7	8.5	10	11	13	14
10 x 6 Ak .153	11-3/8 x 7-3/8	Cfm	46	61	77	92	107	122	138	153
		Throw	5	6.5	8	9.5	11	13	15	16
10 x 10 Ak .285	11-3/8 x 11-3/8	Cfm	86	114	143	171	200	228	257	285
		Throw	8.5	11	14	17	20	23	26	28
12 x 4 Ak .125	13-3/8 x 5-3/8	Cfm	38	50	63	75	88	100	113	125
		Throw	4.5	6	7.5	9	11	12	13	15
12 x 6 Ak .194	13-3/8 x 7-3/8	Cfm	58	78	97	116	136	155	175	194
		Throw	5.5	7	9	10	12	14	16	18
12 x 8 Ak .257	13-3/8 x 9-3/8	Cfm	77	103	129	154	180	206	231	257
		Throw	6	8	10	12	14	16	18	20

Terminal Velocity of 75 fpm