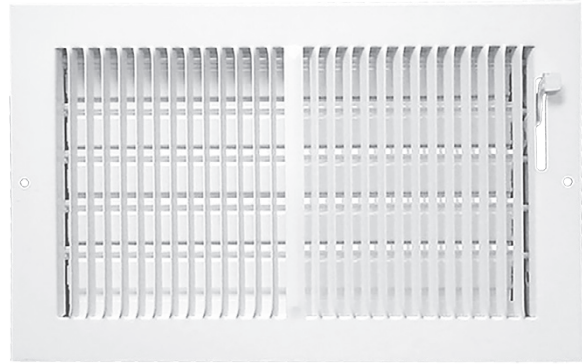
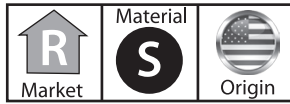
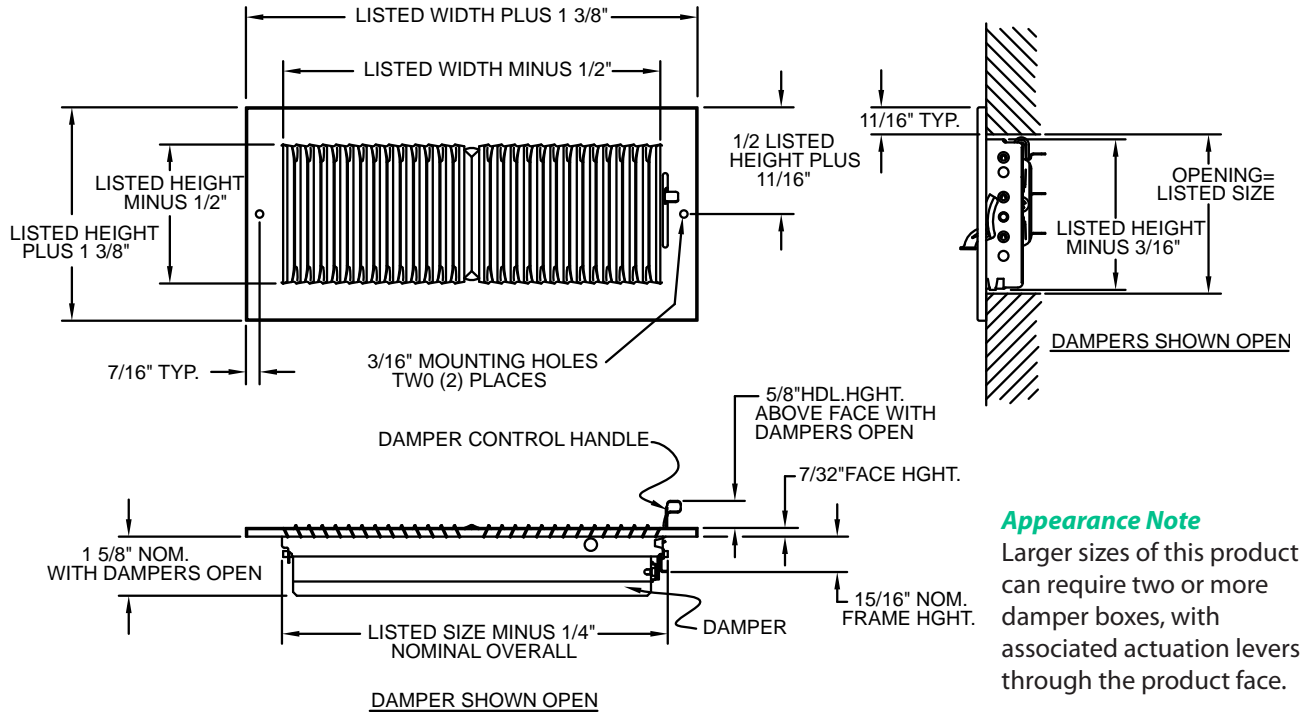


Series 32 Sidewall/Ceiling Register

- Lanced face
- Multi-shutter damper
- 2-way diffusion
- 1/3" spaced fins
- White finish
- Made in the U.S.A.



Dimensional Drawings



Appearance Note

Larger sizes of this product can require two or more damper boxes, with associated actuation levers through the product face.

Performance Data, Series 32

Unit Size (in.)	Overall Size (in.)	Face Velocity	300	400	500	600	700	800	900	1000
		Pressure Loss	.006	.010	.016	.022	.031	.040	.050	.062
6 x 4 Ak .06	7-3/8 x 5-3/8	Cfm	18	24	30	36	42	48	54	60
		Throw	3	4	5	7	8	9	10	11
6 x 6 Ak .115	7-3/8 x 7-3/8	Cfm	51	68	85	102	119	136	153	170
		Throw	5	6	7	9	10	12	13	15
8 x 4 Ak .13	9-3/8 x 5-3/8	Cfm	45	60	75	90	105	120	135	150
		Throw	4	5	7	8	9	11	12	13
8 x 5 Ak .19	9-3/8 x 6-3/8	Cfm	57	76	95	114	133	152	171	190
		Throw	5	6.5	8	9.5	11.5	13	14.5	16
8 x 6 Ak .21	9-3/8 x 7-3/8	Cfm	69	92	115	138	161	184	207	230
		Throw	5	7	8	10	12	14	15	17
8 x 8 Ak .29	9-3/8 x 9-3/8	Cfm	93	124	155	186	217	248	279	310
		Throw	6	7	9	11	13	15	17	19
10 x 4 Ak .17	11-3/8 x 5-3/8	Cfm	54	72	90	108	126	144	162	180
		Throw	5	6	8	9	11	12	13	14

Performance Data, Series 32 (continued)

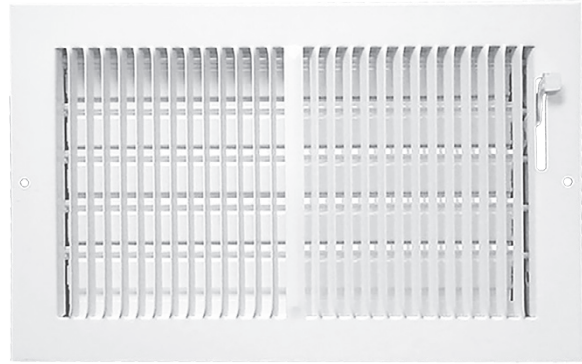
Unit Size (in.)	Overall Size (in.)	Face Velocity	300	400	500	600	700	800	900	1000
		Pressure Loss	.006	.010	.016	.022	.031	.040	.050	.062
10 x 5 Ak .24	11-3/8 x 6-3/8	Cfm	72	96	120	144	168	192	216	240
		Throw	5	7	8	10	12	13	15	16
10 x 6 Ak .27	11-3/8 x 7-3/8	Cfm	87	116	145	174	203	232	261	290
		Throw	6	8	9	11	13	15	17	19
10 x 8 Ak .38	11-3/8 x 9-3/8	Cfm	120	160	200	240	280	320	360	400
		Throw	7	8	10	12	14	16	17	21
10 x 10 Ak .46	11-3/8 x 11-3/8	Cfm	141	188	235	282	329	376	423	470
		Throw	7	9	12	14	16	18	20	23
12 x 4 Ak .22	13-3/8 x 5-3/8	Cfm	66	88	110	132	154	176	198	220
		Throw	5	7	8	10	12	14	15	17
12 x 5 Ak .29	13-3/8 x 6-3/8	Cfm	87	116	145	174	203	232	261	290
		Throw	6	8	10	12	14	16	18	20
12 x 6 Ak .34	13-3/8 x 7-3/8	Cfm	105	140	175	210	245	280	315	350
		Throw	7	8	10	12	15	17	19	21
12 x 8 Ak .46	13-3/8 x 9-3/8	Cfm	144	192	240	288	336	384	432	480
		Throw	7	9	11	13	18	17	19	22
12 x 10 Ak .57	13-3/8 x 11-3/8	Cfm	171	228	285	342	399	456	513	570
		Throw	8	11	13	16	19	22	25	28
12 x 12 Ak .69	13-3/8 x 13-3/8	Cfm	210	280	350	420	490	560	630	700
		Throw	9	11	14	17	20	22	25	29
14 x 4 Ak .27	15-3/8 x 5-3/8	Cfm	78	104	130	156	182	208	234	260
		Throw	5	7	9	11	13	15	17	18
14 x 5 Ak .34	15-3/8 x 6-3/8	Cfm	102	136	170	204	238	272	306	340
		Throw	6.5	8.5	11	13	15.5	17.5	19.5	22
14 x 6 Ak .37	15-3/8 x 7-3/8	Cfm	123	164	205	246	287	328	369	410
		Throw	7	8	11	13	16	18	20	23
14 x 8 Ak .51	15-3/8 x 9-3/8	Cfm	168	224	280	336	392	448	504	560
		Throw	8	9	12	14	17	19	21	24
16 x 4 Ak .30	17-3/8 x 5-3/8	Cfm	90	120	150	180	210	240	270	300
		Throw	6	9	11	14	16	19	21	24
16 x 6 Ak .47	17-3/8 x 7-3/8	Cfm	141	188	235	282	329	376	423	470
		Throw	7	10	12	15	17	20	22	25
16 x 8 Ak .64	17-3/8 x 9-3/8	Cfm	195	260	325	390	455	520	585	650
		Throw	8	10	13	15	18	20	22	25
18 x 6 Ak = .54	19-3/8 x 19-3/8	Cfm	162	216	270	324	378	432	486	540
		Throw	8	11	13	16	19	22	24	27
18 x 8 Ak .73	19-3/8 x 9-3/8	Cfm	219	292	365	438	511	584	657	730
		Throw	9	11	13	16	19	22	25	28

Terminal Velocity of 75 fpm

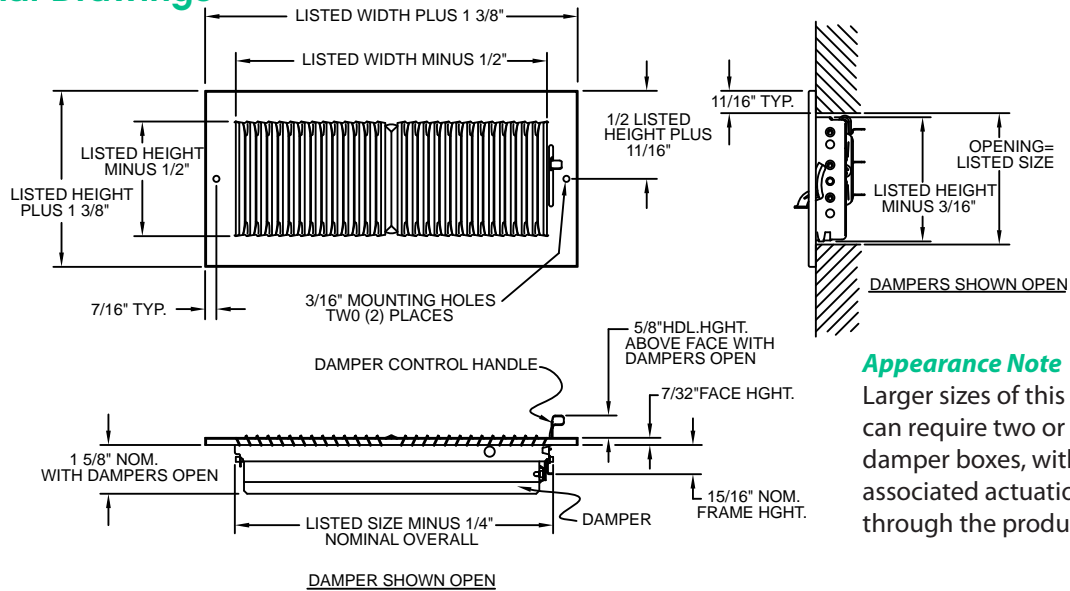
Residential
Sidewall or Ceiling

Series A32 Sidewall/Ceiling Register

- Lanced face
- Multi-shutter damper
- 2-way diffusion
- 1/3" spaced fins
- Aluminum construction
- White finish
- Made in the U.S.A.



Dimensional Drawings



Appearance Note

Larger sizes of this product can require two or more damper boxes, with associated actuation levers through the product face.

Performance Data, Series A32

Terminal velocity is 75 fpm.

Unit Size (in.)	Overall Size (in.)	Face Velocity	300	400	500	600	700	800	900	1000
			Pressure Loss	.006	.010	.016	.022	.031	.040	.050
8 x 4 Ak .13	9-3/8 x 5-3/8	Cfm	45	60	75	90	105	120	135	150
		Throw	4	5	7	8	9	11	12	13
8 x 6 Ak .21	9-3/8 x 7-3/8	Cfm	69	92	115	138	161	184	207	230
		Throw	5	7	8	10	12	14	15	17
10 x 4 Ak .17	11-3/8 x 5-3/8	Cfm	54	72	90	108	126	144	162	180
		Throw	5	6	8	9	11	12	13	14
10 x 6 Ak .27	11-3/8 x 7-3/8	Cfm	87	116	145	174	203	232	261	290
		Throw	6	8	9	11	13	15	17	19
10 x 8 Ak .38	11-3/8 x 9-3/8	Cfm	120	160	200	240	280	320	360	400
		Throw	7	8	10	12	14	16	17	21
12 x 4 Ak = .22	13-3/8 x 5-3/8	Cfm	66	88	110	132	154	176	198	220
		Throw	5	7	8	10	12	14	15	17
12 x 6 Ak .34	13-3/8 x 7-3/8	Cfm	105	140	175	210	245	280	315	350
		Throw	7	8	10	12	15	17	19	21
14 x 6 Ak .37	15-3/8 x 7-3/8	Cfm	123	164	205	246	287	328	369	410
		Throw	7	8	11	13	16	18	20	23
14 x 8 Ak .51	15-3/8 x 9-3/8	Cfm	168	224	280	336	392	448	504	560
		Throw	8	9	12	14	17	19	21	24