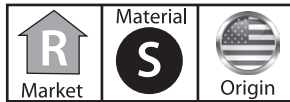


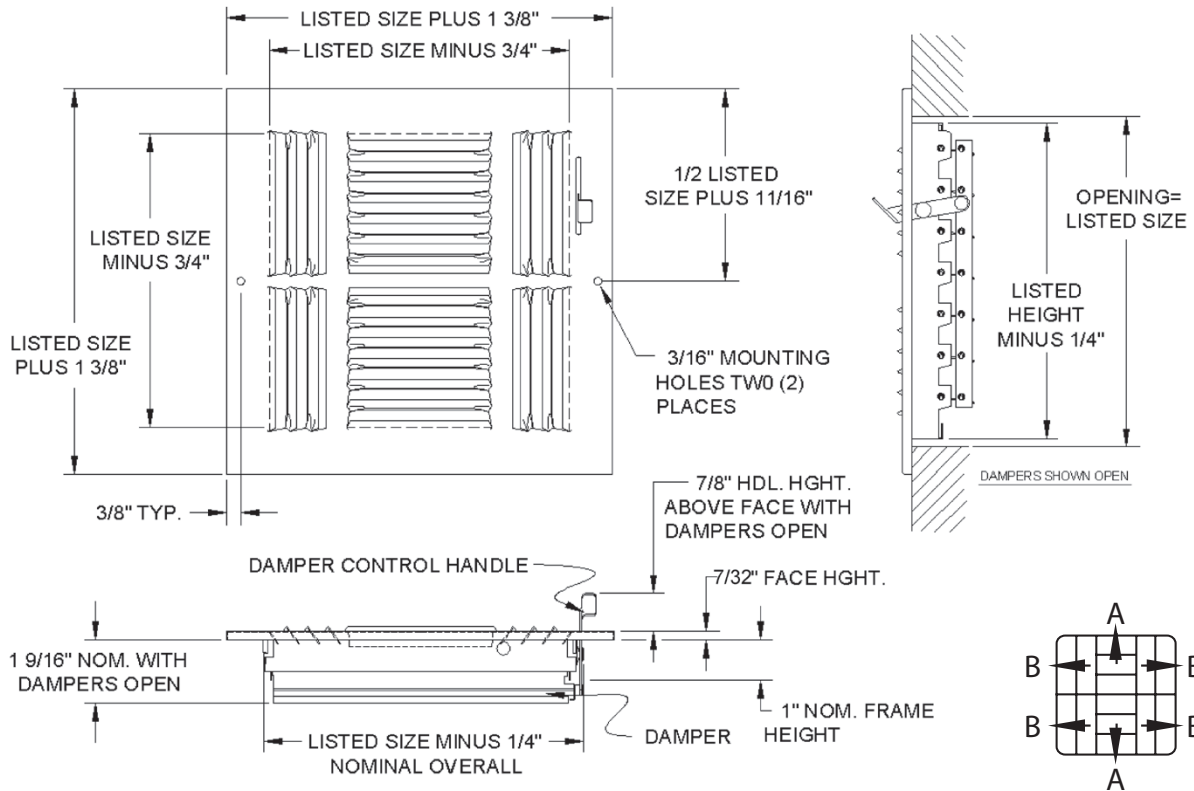
Series 24 Sidewall/Ceiling Register

- Lanced face
- Multi-shutter damper
- 4-way diffusion
- 1/2" spaced fins
- White finish
- Made in the U.S.A.



Residential
Sidewall or Ceiling

Dimensional Drawings



Performance Data, Series 24

Unit Size (in.)	Overall Size (in.)	Face Velocity	300	400	500	600	700	800	900	1000
		Pressure Loss	.006	.010	.016	.022	.031	.040	.050	.062
6 x 6 Ak .13	7-3/8 x 7-3/8	Cfm	39	52	65	78	91	104	117	130
		Cfm A/B	15/4	20/6	24/8	30/9	34/11	40/12	44/14	50/15
		Throw A/B	3/3	5/4	6/5	8/6	9/7	10/8	12/10	13/11
8 x 8 Ak .26	9-3/8 x 9-3/8	Cfm	78	104	130	156	182	208	234	260
		Cfm A/B	21/18	28/24	35/30	42/36	49/42	56/48	63/54	71/61
		Throw A/B	4/4	7/6	9/8	11/9	13/11	15/12	16/13	18/15

Performance Data, Series 24 (continued)

Unit Size (in.)	Overall Size (in.)	Face Velocity	300	400	500	600	700	800	900	1000
		Pressure Loss	.006	.010	.016	.022	.031	.040	.050	.062
10 x 10 Ak .44	11-3/8 x 11-3/8	Cfm	132	176	220	264	308	352	396	440
		Cfm A/B	35/31	46/42	58/52	70/62	82/72	93/83	106/94	118/105
		Throw A/B	7/5	9/7	12/9	14/11	17/14	20/16	22/18	25/21
12 x 12 Ak .68	13-3/8 x 13-3/8	Cfm	204	272	340	408	476	544	612	680
		Cfm A/B	54/48	71/65	89/91	120/54	140/63	160/72	180/81	200/90
		Throw A/B	9/7	12/9	15/12	18/14	21/17	24/19	28/22	29/24
14 x 14 Ak .95	15-3/8 x 15-3/8	Cfm	284	380	474	570	664	760	855	950
		Cfm A/B	63/79	84/106	104/133	126/159	146/186	167/213	187/239	208/266
		Throw A/B	9/8	12/11	18/15	22/18	26/21	29/24	33/26	36/30
16 x 16 Ak 1.27	17-3/8 x 17-3/8	Cfm	380	508	634	762	888	1016	1143	1270
		Cfm A/B	85/105	113/139	142/175	171/210	199/245	228/280	256/315	284/350
		Throw A/B	11/9	14/12	18/15	22/18	26/21	29/24	33/26	36/30

Terminal velocity is 75 fpm.

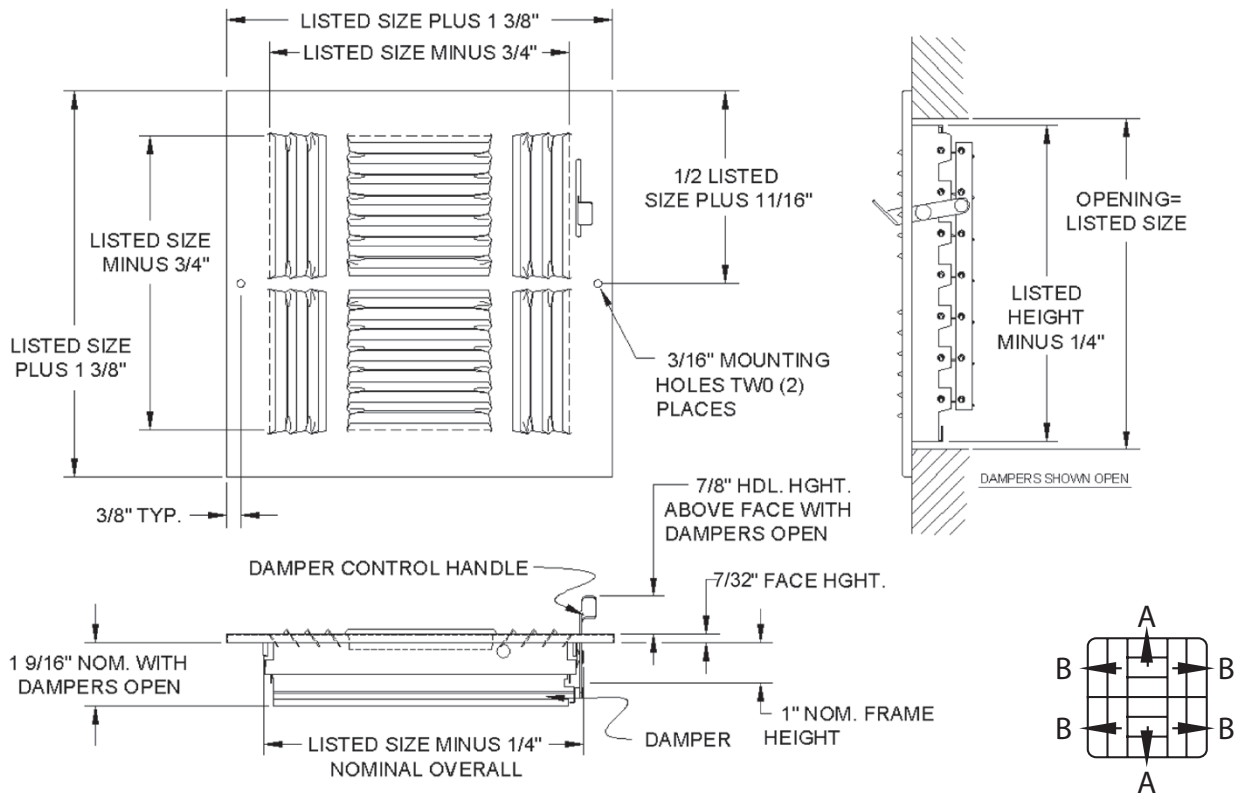
Series A24 Sidewall/Ceiling Register

- Lanced face
- Multi-shutter damper
- 4-way diffusion
- 1/2" spaced fins
- Aluminum construction
- White finish
- Made in the U.S.A.



Residential
Sidewall or Ceiling

Dimensional Drawings



Performance Data, Series A24

Unit Size (in.)	Overall Size (in.)	Face Velocity	300	400	500	600	700	800	900	1000
		Pressure Loss	.006	.010	.016	.022	.031	.040	.050	.062
6 x 6 Ak .13	7-3/8 x 7-3/8	Cfm	39	52	65	78	91	104	117	130
		Cfm A/B	15/4	20/6	24/8	30/9	34/11	40/12	44/14	50/15
		Throw A/B	3/3	5/4	6/5	8/6	9/7	10/8	12/10	13/11
8 x 8 Ak .26	9-3/8 x 9-3/8	Cfm	78	104	130	156	182	208	234	260
		Cfm A/B	21/18	28/24	35/30	42/36	49/42	56/48	63/54	71/61
		Throw A/B	4/4	7/6	9/8	11/9	13/11	15/12	16/13	18/15

Performance Data, Series A24 (continued)

Unit Size (in.)	Overall Size (in.)	Face Velocity	300	400	500	600	700	800	900	1000
		Pressure Loss	.006	.010	.016	.022	.031	.040	.050	.062
10 x 10 Ak .44	11-3/8 x 11-3/8	Cfm	132	176	220	264	308	352	396	440
		Cfm A/B	35/31	46/42	58/52	70/62	82/72	93/83	106/94	118/105
		Throw A/B	7/5	9/7	12/9	14/11	17/14	20/16	22/18	25/21
12 x 12 Ak .68	13-3/8 x 13-3/8	Cfm	204	272	340	408	476	544	612	680
		Cfm A/B	54/48	71/65	89/91	120/54	140/63	160/72	180/81	200/90
		Throw A/B	9/7	12/9	15/12	18/14	21/17	24/19	28/22	29/24
14 x 14 Ak .95	15-3/8 x 15-3/8	Cfm	284	380	474	570	664	760	855	950
		Cfm A/B	63/79	84/106	104/133	126/159	146/186	167/213	187/239	208/266
		Throw A/B	9/8	12/11	18/15	22/18	26/21	29/24	33/26	36/30

Terminal velocity is 75 fpm.