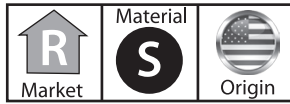
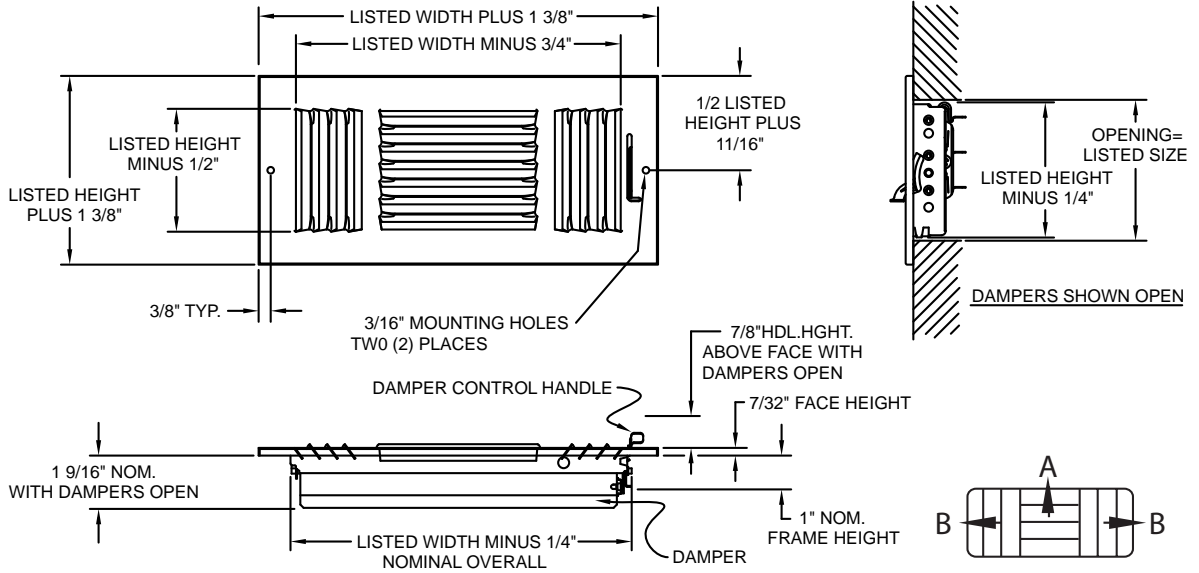


Series 23 Sidewall/Ceiling Register

- Lanced face
- Multi-shutter damper
- 3-way diffusion
- 1/2" spaced fins
- White finish
- Made in the U.S.A.



Dimensional Drawings



Appearance Note

Larger sizes of this product can require two or more damper boxes, with associated actuation levers through the product face.

Performance Data, Series 23

Unit Size (in.)	Overall Size (in.)	Face Velocity	300	400	500	600	700	800	900	1000
		Pressure Loss	.006	.010	.016	.022	.031	.040	.050	.062
6 x 6 Ak .115	7-3/8 x 7-3/8	Cfm	45	60	75	90	105	120	135	150
		Cfm A/B	35/5	48/6	57/9	68/11	79/13	92/14	103/16	114/18
		Throw A/B	4/3	6/3	8/4	8/6	10/5	12/6	12/8	16/8
8 x 4 Ak .13	9-3/8 x 5-3/8	Cfm	39	52	65	78	91	104	117	130
		Cfm A/B	21/9	28/12	35/15	42/36	49/21	56/24	65/26	72/29
		Throw A/B	5/2	6/3	7/6	8/6	8/7	9/8	12/8	12/10
8 x 6 Ak .21	9-3/8 x 7-3/8	Cfm	63	84	105	126	147	168	189	210
		Cfm A/B	33/15	46/19	57/24	68/29	79/34	90/39	101/44	112/49
		Throw A/B	6/2	7/3	8/4	8/6	9/7	12/8	14/7	16/8
8 x 8 Ak .29	9-3/8 x 9-3/8	Cfm	87	116	145	174	203	232	261	290
		Cfm A/B	47/20	62/27	77/34	92/41	107/48	124/54	139/61	154/68
		Throw A/B	5/4	8/4	10/5	12/6	14/7	16/8	18/9	20/10
10 x 4 Ak .17	11-3/8 x 5-3/8	Cfm	51	68	85	102	119	136	153	170
		Cfm A/B	27/12	36/16	45/20	54/24	63/28	74/31	83/35	92/39
		Throw A/B	5/3	7/3	8/4	8/6	10/7	12/8	14/7	16/9

Performance Data, Series 23 (continued)

Unit Size (in.)	Overall Size (in.)	Face Velocity	300	400	500	600	700	800	900	1000
		Pressure Loss	.006	.010	.016	.022	.031	.040	.050	.062
10 x 6 Ak .27	11-3/8 x 7-3/8	Cfm	81	108	135	162	189	216	243	270
		Cfm A/B	43/19	58/25	73/31	86/38	101/44	116/50	129/57	144/63
		Throw A/B	6/3	8/4	9/6	12/6	14/7	16/8	18/9	20/10
10 x 8 Ak .38	11-3/8 x 9-3/8	Cfm	114	152	190	228	266	304	342	380
		Cfm A/B	60/27	80/36	100/45	120/54	140/63	160/72	180/81	200/90
		Throw A/B	6/4	9/4	12/6	12/8	14/9	18/9	20/10	21/12
10 x 10 Ak .46	11-3/8 x 11-3/8	Cfm	138	184	230	276	322	368	414	460
		Cfm A/B	74/32	100/42	124/53	150/63	174/74	200/84	224/95	250/105
		Throw A/B	8/3	9/6	10/7	14/9	18/9	20/10	22/13	26/13
12 x 4 Ak .22	13-3/8 x 5-3/8	Cfm	66	88	110	132	154	176	198	220
		Cfm A/B	34/16	46/21	58/26	68/32	80/37	92/42	104/47	114/53
		Throw A/B	5/3	8/3	9/4	10/5	12/6	14/7	16/8	18/9
12 x 6 Ak .34	13-3/8 x 7-3/8	Cfm	102	136	170	204	238	272	306	340
		Cfm A/B	54/24	72/32	88/41	106/49	124/57	142/65	160/73	178/81
		Throw A/B	6/4	8/5	10/7	12/8	14/9	18/9	20/10	21/12
12 x 8 Ak .46	13-3/8 x 9-3/8	Cfm	138	184	230	276	322	368	414	460
		Cfm A/B	72/33	96/44	120/55	144/66	168/77	192/88	216/99	240/110
		Throw A/B	8/4	10/5	12/6	14/9	16/10	20/10	23/11	24/13
12 x 12 Ak .69	13-3/8 x 13-3/8	Cfm	207	276	345	414	483	552	621	690
		Cfm A/B	111/48	148/64	185/80	222/96	259/112	294/129	333/144	370/160
		Throw A/B	8/6	12/7	16/8	18/10	22/11	24/14	28/15	32/14
14 x 4 Ak .27	15-3/8 x 5-3/8	Cfm	81	108	135	162	189	216	243	270
		Cfm A/B	33/24	44/32	57/39	68/47	79/55	90/63	101/76	112/79
		Throw A/B	6/3	8/4	8/6	11/6	13/6	15/7	17/8	19/10
14 x 6 Ak .37	15-3/8 x 7-3/8	Cfm	111	148	185	222	259	296	333	370
		Cfm A/B	53/29	70/39	89/48	106/58	125/67	142/77	159/87	178/96
		Throw A/B	7/3	10/5	12/5	14/7	16/8	17/11	21/10	23/12
14 x 8 Ak .51	15-3/8 x 9-3/8	Cfm	153	204	255	306	357	408	459	510
		Cfm A/B	73/40	98/53	123/66	146/80	171/93	194/107	219/120	242/134
		Throw A/B	8/6	12/7	16/8	19/9	22/11	26/13	29/15	32/16
14 x 14 Ak .89	15-3/8 x 15-3/8	Cfm	267	356	445	534	623	712	801	890
		Cfm A/B	131/68	174/91	217/114	260/137	303/160	348/182	391/205	434/228
		Throw A/B	12/6	16/8	22/11	26/13	30/15	34/18	38/20	43/21
16 x 6 Ak .47	17-3/8 x 7-3/8	Cfm	141	188	235	282	329	376	423	470
		Cfm A/B	63/39	84/52	105/65	126/78	147/91	168/104	189/117	210/130
		Throw A/B	6/3	9/5	10/6	12/8	16/7	18/8	19/9	22/11
16 x 8 Ak .64	17-3/8 x 9-3/8	Cfm	192	256	320	384	448	512	576	640
		Cfm A/B	86/53	114/71	144/88	172/106	202/123	230/141	258/159	286/177
		Throw A/B	8/5	12/6	16/7	19/9	20/11	24/12	26/14	30/15
16 x 16 Ak 1.29	17-3/8 x 17-3/8	Cfm	387	516	645	774	903	1032	1161	1290
		Cfm A/B	177/105	236/140	295/175	354/210	413/245	470/281	529/316	588/351
		Throw A/B	12/8	18/9	25/12	30/15	34/17	38/20	42/22	48/24

Residential
Sidewall or Ceiling

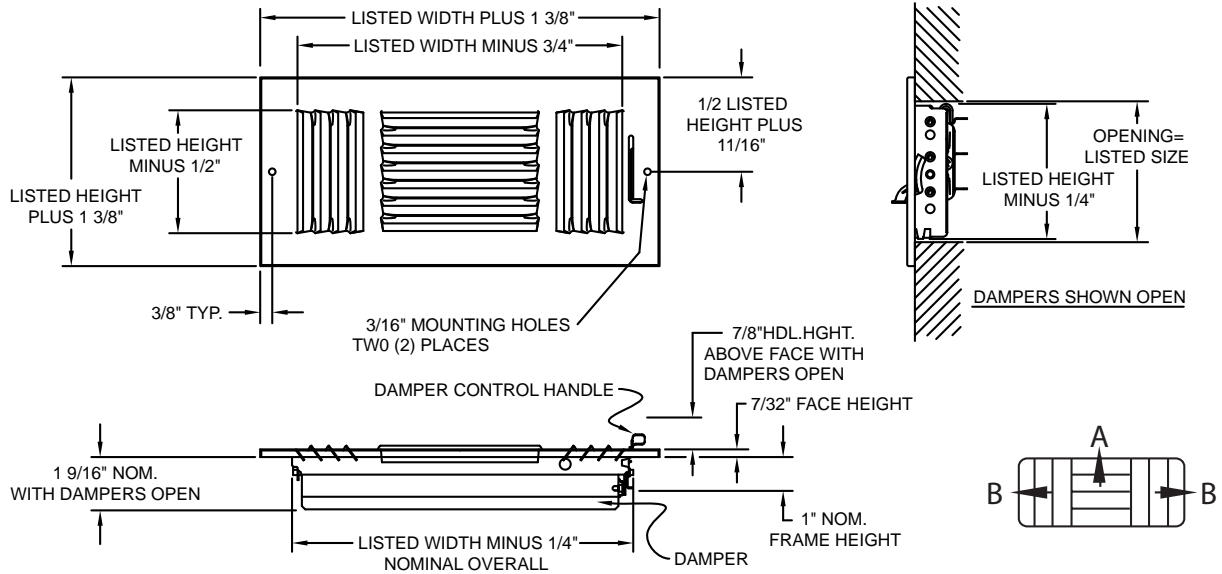
Terminal velocity is 75 fpm.

Series A23 Sidewall/Ceiling Register

- Lanced face
- Multi-shutter damper
- 3-way diffusion
- 1/2" spaced fins
- Aluminum construction
- White finish
- Made in the U.S.A.



Dimensional Drawings



Appearance Note

Larger sizes of this product can require two or more damper boxes, with associated actuation levers through the product face.

Performance Data, Series A23

Unit Size (in.)	Overall Size (in.)	Face Velocity	300	400	500	600	700	800	900	1000
		Pressure Loss	.006	.010	.016	.022	.031	.040	.050	.062
8 x 4 Ak .13	9-3/8 x 5-3/8	Cfm	39	52	65	78	91	104	117	130
		Cfm A/B	21/9	28/12	35/15	42/36	49/21	56/24	65/26	72/29
		Throw A/B	5/2	6/3	7/6	8/6	8/7	9/8	12/8	12/10
10 x 4 Ak .17	11-3/8 x 5-3/8	Cfm	51	68	85	102	119	136	153	170
		Cfm A/B	27/12	36/16	45/20	54/24	63/28	74/31	83/35	92/39
		Throw A/B	5/3	7/3	8/4	8/6	10/7	12/8	14/7	16/9
10 x 6 Ak .27	11-3/8 x 7-3/8	Cfm	81	108	135	162	189	216	243	270
		Cfm A/B	43/19	58/25	73/31	86/38	101/44	116/50	129/57	144/63
		Throw A/B	6/3	8/4	9/6	12/6	14/7	16/8	18/9	20/10
10 x 8 Ak .38	11-3/8 x 9-3/8	Cfm	114	152	190	228	266	304	342	380
		Cfm A/B	60/27	80/36	100/45	120/54	140/63	160/72	180/81	200/90
		Throw A/B	6/4	9/4	12/6	12/8	14/9	18/9	20/10	21/12
12 x 4 Ak .22	13-3/8 x 5-3/8	Cfm	66	88	110	132	154	176	198	220
		Cfm A/B	34/16	46/21	58/26	68/32	80/37	92/42	104/47	114/53
		Throw A/B	5/3	8/3	9/4	10/5	12/6	14/7	16/8	18/9

Performance Data, Series A23 (continued)

Unit Size (in.)	Overall Size (in.)	Face Velocity	300	400	500	600	700	800	900	1000
		Pressure Loss	.006	.010	.016	.022	.031	.040	.050	.062
12 x 6 Ak .34	13-3/8 x 7-3/8	Cfm	102	136	170	204	238	272	306	340
		Cfm A/B	54/24	72/32	88/41	106/49	124/57	142/65	160/73	178/81
		Throw A/B	6/4	8/5	10/7	12/8	14/9	18/9	20/10	21/12
12 x 8 Ak .46	13-3/8 x 9-3/8	Cfm	138	184	230	276	322	368	414	460
		Cfm A/B	72/33	96/44	120/55	144/66	168/77	192/88	216/99	240/110
		Throw A/B	8/4	10/5	12/6	14/9	16/10	20/10	23/11	24/13
14 x 4 Ak .27	15-3/8 x 5-3/8	Cfm	81	108	135	162	189	216	243	270
		Cfm A/B	33/24	44/32	57/39	68/47	79/55	90/63	101/76	112/79
		Throw A/B	6/3	8/4	8/6	11/6	13/6	15/7	17/8	19/10
14 x 6 Ak .37	15-3/8 x 7-3/8	Cfm	111	148	185	222	259	296	333	370
		Cfm A/B	53/29	70/39	89/48	106/58	125/67	142/77	159/87	178/96
		Throw A/B	7/3	10/5	12/5	14/7	16/8	17/11	21/10	23/12
14 x 8 Ak .51	15-3/8 x 9-3/8	Cfm	153	204	255	306	357	408	459	510
		Cfm A/B	73/40	98/53	123/66	146/80	171/93	194/107	219/120	242/134
		Throw A/B	8/6	12/7	16/8	19/9	22/11	26/13	29/15	32/16

Terminal velocity is 75 fpm.

Residential
Sidewall or Ceiling