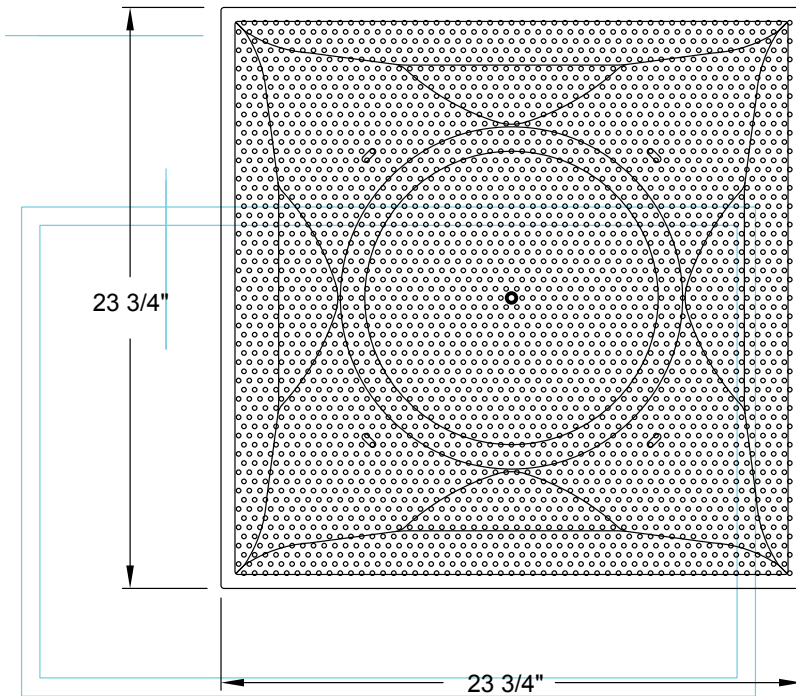
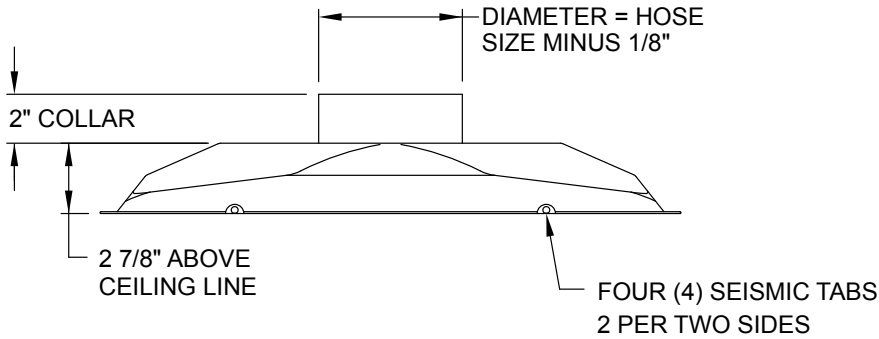




Continental Industries, Inc.
 100 West Windsor Avenue
 Elkhart, Indiana 46514
 Phone: 800.735.5272 • Fax: 574.262.2075
 Email: info@continentalindustries.com
 Web: www.continentalindustries.com

Submittal Drawing & Form



- Description**
- Return Air Application
 - Perforated Face
 - No Collar or Set 6", 8", 10", 12" or 14" Collar
 - No Insulation
 - Aluminum Construction
 - White finish

Project Details	Submitted by:	A6500 Series T-Bar (Lay-In)
Job Title:		
Location:		
Architect:		
Engineer:		
Contractor:	Date:	SD-A6500-01