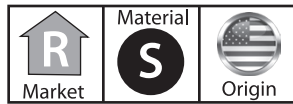


# Series BEG31 Baseboard Grille

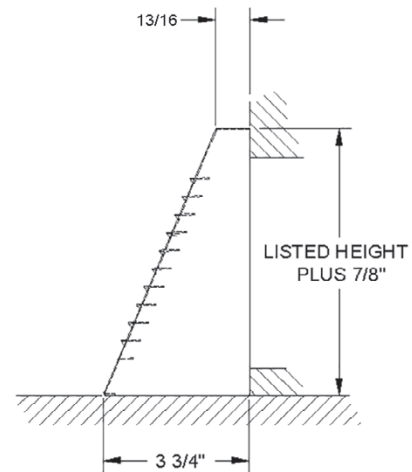
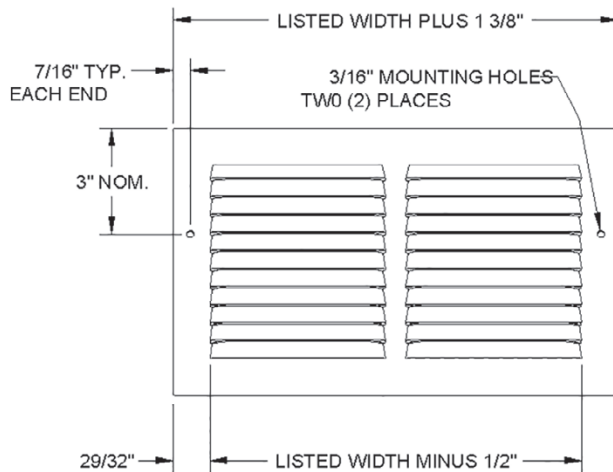


- Lanced face
- 1/3" spaced fins
- Sizing: 10", 12", 14", 24", 30" widths
- Extended base
- White finish
- Made in the U.S.A.



Residential  
Floor & Baseboard

## Dimensional Drawings



## Performance Data, Series BEG31

Unit Size (in.)	Overall Size (in.)	Face Velocity	300	400	500	600	700	800	900	1000
10 x 6 Ak .29	11-3/8 x 6-7/8	Cfm	87	116	145	174	203	232	261	290
		Pt	.013	.023	.037	.052	.072	.081	.09	.099
12 x 6 Ak .35	13-3/8 x 6-7/8	Cfm	105	140	175	210	245	280	315	350
		Pt	.013	.022	.035	.051	.07	.079	.088	.097
14 x 6 Ak .42	15-3/8 x 6-7/8	Cfm	126	168	210	252	294	336	378	420
		Pt	.012	.022	.035	.05	.068	.077	.086	.095
14 x 8 Ak .56	15-3/8 x 8-7/8	Cfm	168	224	280	336	392	448	504	560
		Pt	.012	.021	.033	.047	.065	.074	.083	.093
24 x 6 Ak.70	25-3/8 x 6-7/8	Cfm	210	280	350	420	490	560	630	700
		Pt	.011	.02	.032	.045	.062	.071	.08	.09
24 x 8 Ak.95	25-3/8 x 8-7/8	Cfm	285	380	475	570	665	760	855	950
		Pt	.011	.02	.031	.044	.059	.068	.077	.087
30 x 6 Ak .86	31-3/8 x 6-7/8	Cfm	258	344	430	516	602	688	774	860
		Pt	.011	.02	.031	.044	.06	.069	.078	.088
30 x 8 Ak 1.16	31-3/8 x 8-7/8	Cfm	348	464	580	696	812	928	1044	1160
		Pt	.011	.019	.03	.042	.057	.066	.075	.084