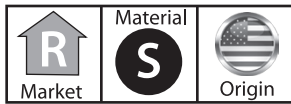
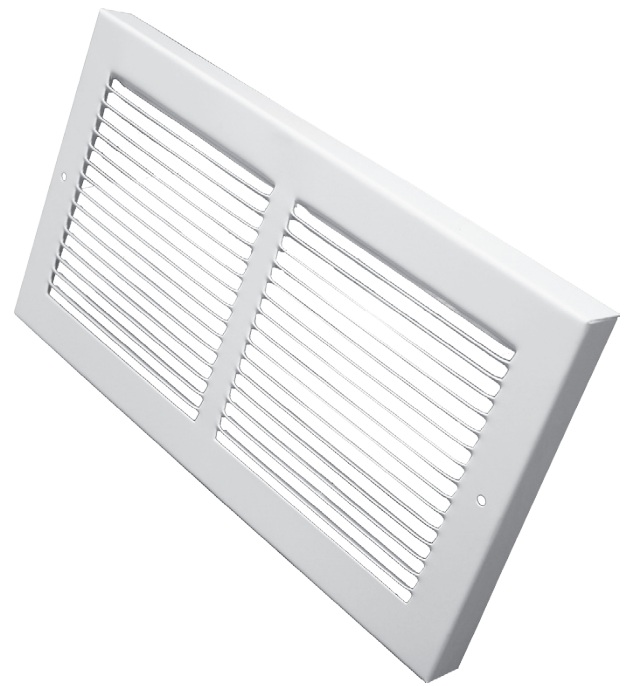


Series BG31 Baseboard Grille

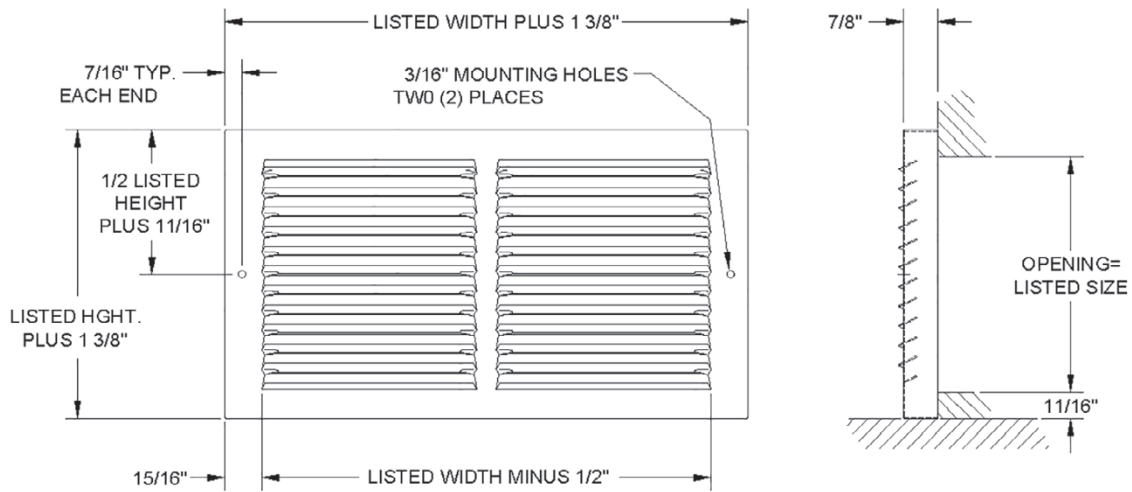


- Lanced face
- 1/3" spaced fins
- Sizing: 10", 12", 14", 16", 20", 24" 30" widths
- 7/8" base extension
- White finish
- Made in the U.S.A.



Residential
Floor & Baseboard

Dimensional Drawings



Performance Data, Series BG31

Unit Size (in.)	Overall Size (in.)	Face Velocity	300	400	500	600	700	800	900	1000
10 x 6 Ak .29	11-3/8 x 7-3/8	Cfm	87	116	145	174	203	232	261	290
		Pt	.013	.023	.037	.052	.072	.081	.090	.099
10 x 8 Ak .39	11-3/8 x 9-3/8	Cfm	117	156	195	234	273	312	351	390
		Pt	.012	.022	.035	.050	.068	.077	.086	.095
12 x 6 Ak .35	13-3/8 x 7-3/8	Cfm	105	140	175	210	245	280	315	350
		Pt	.013	.022	.035	.051	.070	.079	.088	.097
12 x 8 Ak .47	13-3/8 x 9-3/8	Cfm	141	188	235	282	329	376	423	470
		Pt	.012	.022	.034	.049	.066	.075	.084	.094
14 x 4 Ak.26	15-3/8 x 5-3/8	Cfm	78	104	130	156	182	208	234	260
		Pt	.014	.024	.038	.052	.073	.082	.091	.101
14 x 6 Ak.42	15-3/8 x 7-3/8	Cfm	126	168	210	252	294	336	378	420
		Pt	.012	.022	.035	.050	.068	.077	.086	.095

Performance Data, Series BG31 (continued)

Unit Size (in.)	Overall Size (in.)	Face Velocity	300	400	500	600	700	800	900	1000
14 x 8 Ak.56	15-3/8 x 9-3/8	Cfm	168	224	280	336	392	448	504	560
		Pt	.012	.021	.033	.047	.065	.074	.083	.093
14 x 10 Ak .71	15-3/8 x 11-3/8	Cfm	213	284	355	426	497	568	639	710
		Pt	.011	.020	.032	.045	.062	.071	.080	.090
16 x 6 Ak .48	17-3/8 x 7-3/8	Cfm	144	192	240	288	336	384	432	480
		Pt	.012	.021	.034	.049	.066	.075	.84	.094
16 x 8 Ak .65	17-3/8 x 9-3/8	Cfm	195	260	325	390	455	520	585	650
		Pt	.012	.021	.033	.046	.063	.072	.081	.091
20 x 6 Ak .57	21-3/8 x 7-3/8	Cfm	171	228	285	342	399	456	513	570
		Pt	.012	.021	.033	.047	.064	.073	.081	.091
24 x 8 Ak .95	25-3/8 x 8-3/8	Cfm	285	380	475	570	665	760	855	950
		Pt	.011	.020	.031	.044	.059	.068	.077	.087
24 x 10 Ak 1.19	25-3/8 x 11-3/8	Cfm	357	476	595	714	833	952	1071	1190
		Pt	.011	.018	.029	.041	.056	.065	.074	.084
30 x 6 Ak .86	31-3/8 x 7-3/8	Cfm	258	344	430	516	602	688	774	860
		Pt	.011	.020	.031	.044	.060	.069	.078	.088
30 x 8 Ak 1.16	31-3/8 x 9-3/8	Cfm	348	464	580	696	812	928	1044	1160
		Pt	.011	.019	.030	.042	.057	.066	.075	.084
30 x 10 Ak 1.47	31-3/8 x 11-3/8	Cfm	441	588	735	882	1029	1176	1323	1470
		Pt	.010	.018	.029	.041	.055	.064	.073	.083
30 x 12 Ak 1.77	31-3/8 x 13-3/8	Cfm	531	708	885	1062	1239	1416	1593	1770
		Pt	.010	.018	.028	.040	.054	.063	.072	.082

Residential
Floor & Baseboard