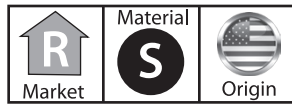


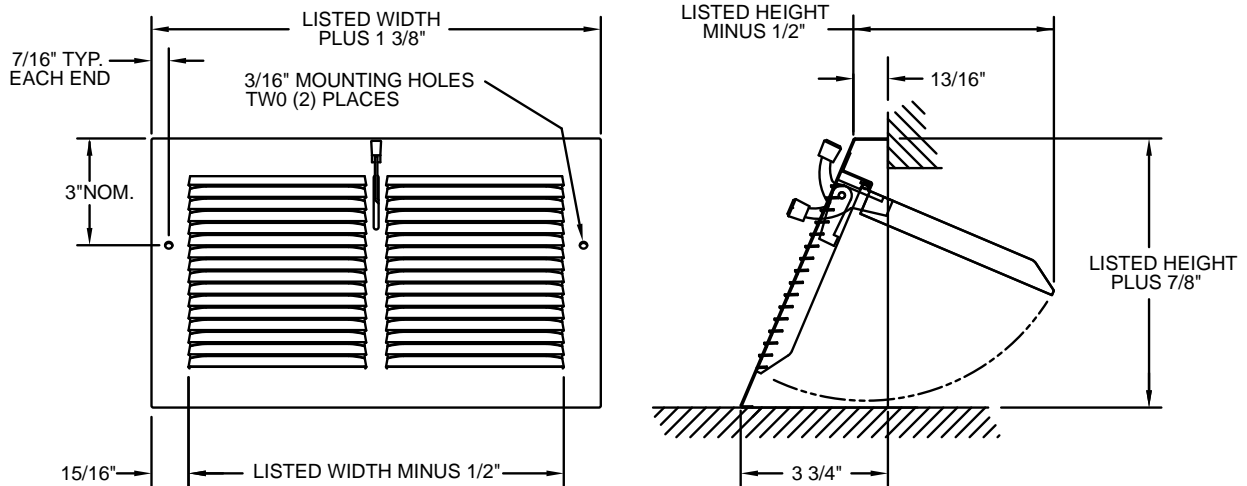
# Series 55 Baseboard Diffuser



Residential  
Floor & Baseboard

- Lanced face
- Plate damper
- 1/3" spaced fins
- 10", 12", 14" widths, 6" length
- Extended base
- White finish
- Made in the U.S.A.

## Dimensional Drawings



## Performance Data, Series 55

Unit Size (in.)	Overall Size (in.)	Face Velocity	300	400	500	600	700	800	900	1000
		Pressure Loss	.006	.010	.016	.022	.031	.040	.050	.062
10 x 6 Ak .29	11-3/8 x 6-7/8	Cfm	87	116	145	174	203	232	261	290
		Throw	9	11.5	14.5	17.5	20	23	25.5	29
12 x 6 Ak .35	13-3/8 x 6-7/8	Cfm	105	140	175	210	245	280	315	350
		Throw	10	13	17	20	23.5	26.5	30	33
14 x 6 Ak .42	15-3/8 x 6-7/8	Cfm	126	168	210	252	294	336	378	420
		Throw	11	14.5	18	22	25.5	29	32.5	36

Terminal velocity is 75 fpm. Always specify width by height.