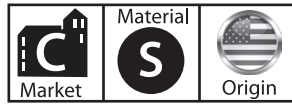
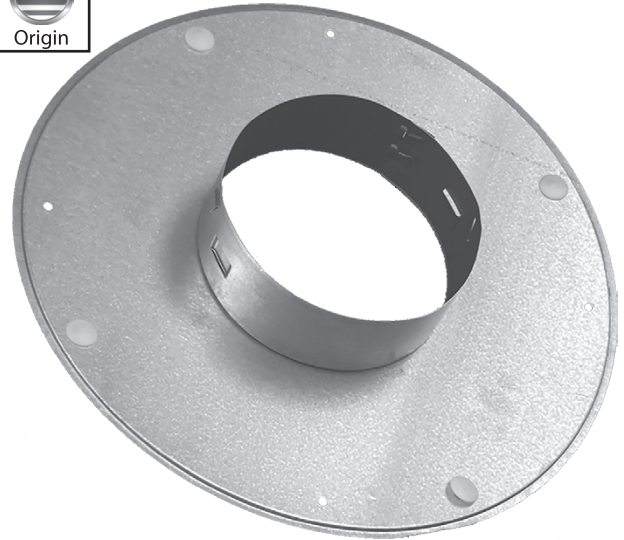


Series 5400

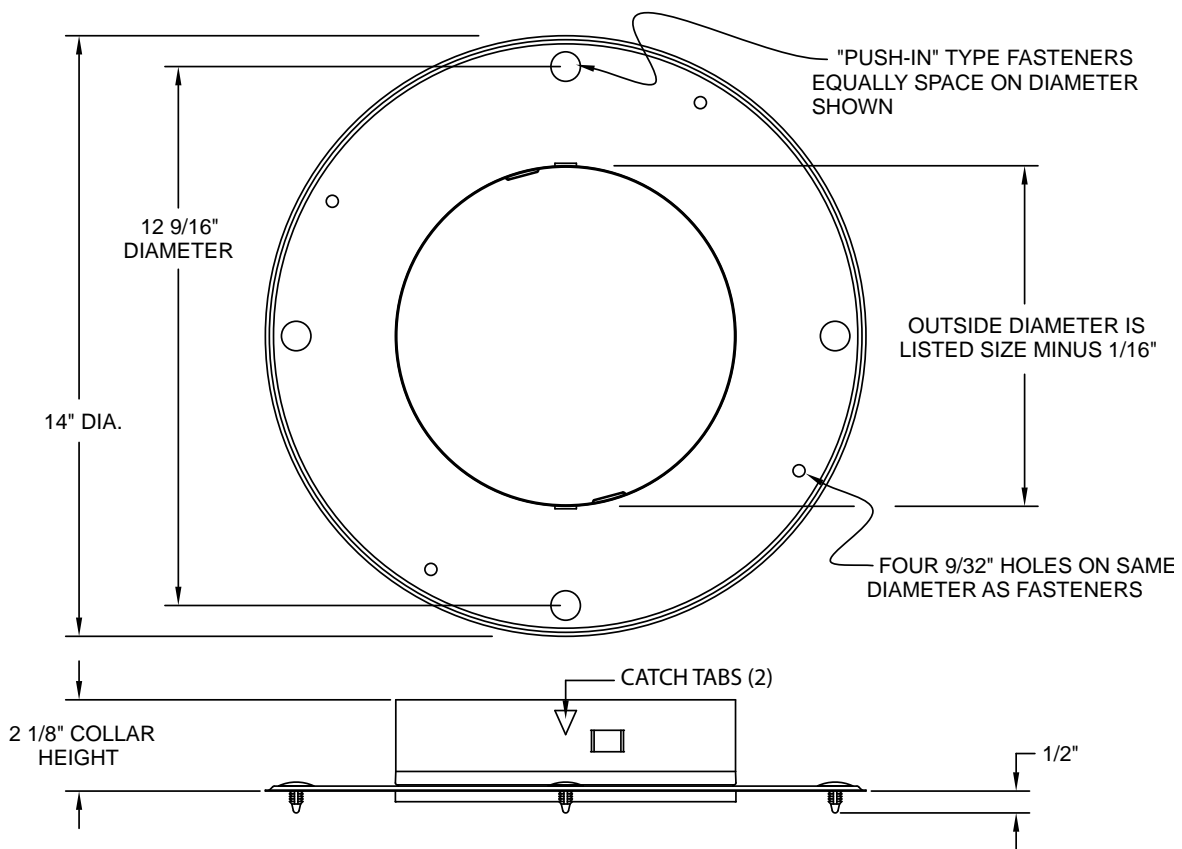
Collar



- ❑ Galvanized steel construction
- ❑ Fasteners included for steel plenums
- ❑ Use Series P175 fasteners for attaching collar to fiberglass plenums such as our Series P
- ❑ Two catch tabs to help secure flex duct
- ❑ Available sizes: 6", 7", 8", 9", 10", 12"
- ❑ Made in the U.S.A.



Dimensional Drawing



Installation Notes

- ❑ **Steel Plenums:** The attached mushroom fasteners align with mounting holes on the steel plenums of Continental T-Bar diffusers. Simply align the holes and push in the fasteners to secure the collar.
- ❑ **Fiberglass Plenums:** Remove the mushroom fasteners included with the stock 5400 collar. Place the collar onto the fiberglass plenum in the desired location. Mark the location of the four holes by pushing a small screwdriver or awl through the collar holes and through the fiberglass plenum. **IMPORTANT:** Use the P175 fasteners and work from INSIDE the fiberglass plenum to the collar on the outside. (Head in fiberglass plenum; barbed end in 5400 collar.)