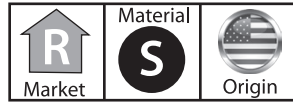


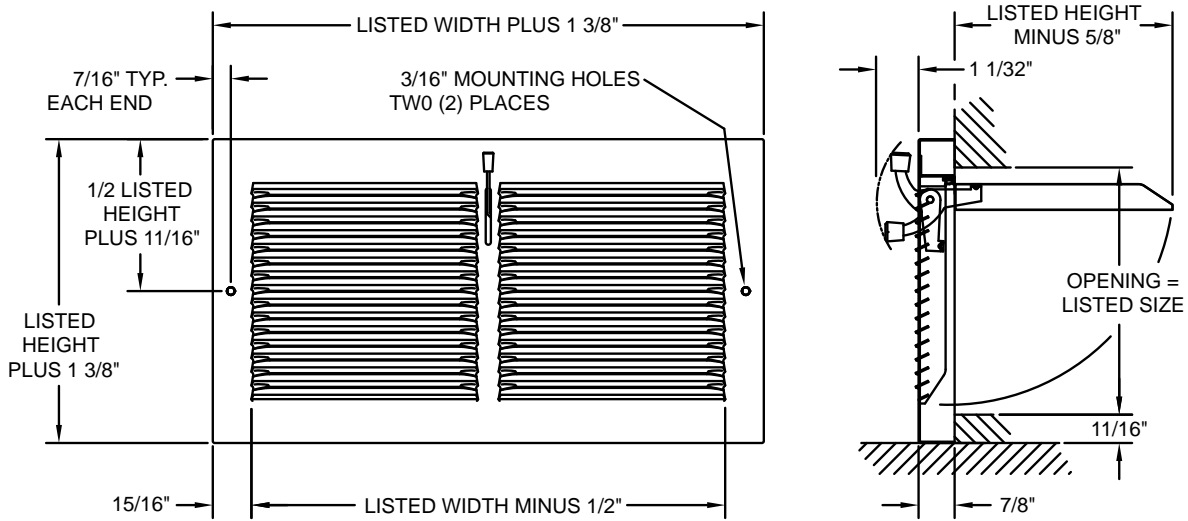
Series 54 Baseboard Diffuser

Residential
Floor & Baseboard

- Lanced face
- Plate damper
- 1/3" spaced fins
- 10", 12", 14" widths, 6" length
- 7/8" base extension
- White finish
- Made in the U.S.A.



Dimensional Drawings



Performance Data, Series 54

Unit Size (in.)	Overall Size (in.)	Face Velocity	300	400	500	600	700	800	900	1000
		Pressure Loss	.006	.010	.016	.022	.031	.040	.050	.062
10 x 6 Ak .27	11-3/8 x 7-3/8	Cfm	81	108	135	162	189	216	243	270
		Throw	9	11.5	14.5	17.5	20	23	25.5	29
12 x 6 Ak .33	13-3/8 x 7-3/8	Cfm	99	132	165	198	231	264	297	330
		Throw	10	13	17	20	23.5	26.5	30	33
14 x 6 Ak .39	15-3/8 x 7-3/8	Cfm	117	156	195	234	273	312	324	390
		Throw	11	14.5	18	22	25.5	29	32.5	36

Terminal velocity is 75 fpm. Always specify width by height.