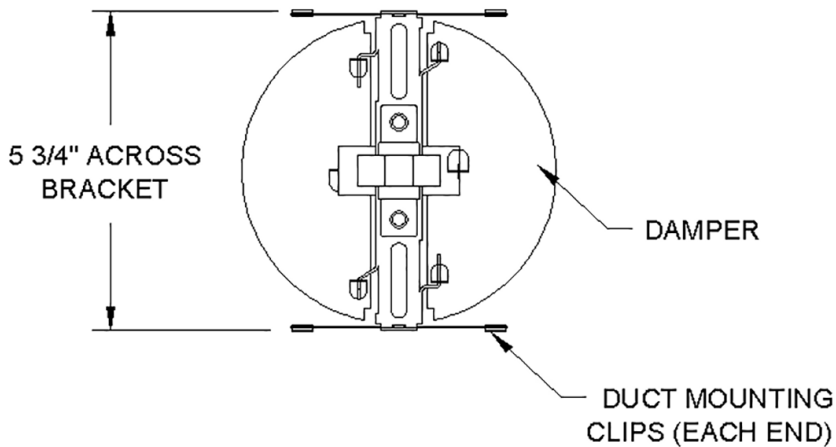
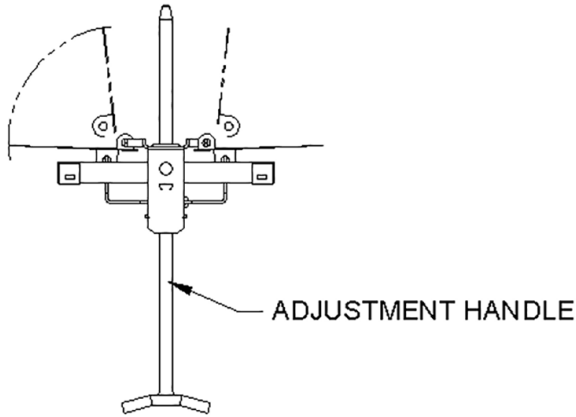




Continental Industries, Inc.
 100 West Windsor Avenue
 Elkhart, Indiana 46514
 Phone: 800.735.5272 • Fax: 574.262.2075
 Email: info@continentalindustries.com
 Web: www.continentalindustries.com

Submittal Drawing & Form



Description
<input type="checkbox"/> Galvanized
<input type="checkbox"/> For Pre-fabricated or Spin-in Collars
<input type="checkbox"/> S-Clips for Use with Round Pipe
<input type="checkbox"/> T-Bar Handle Included
<input type="checkbox"/> Available in 6", 7", 8", 9", 10", 12", 14"

Project Details	Submitted by:	3700 Series Butterfly Damper
Job Title:	Date:	
Location:		
Architect:		
Engineer:		
Contractor:		
		SD-3700-01