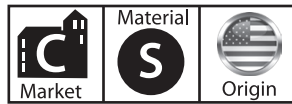
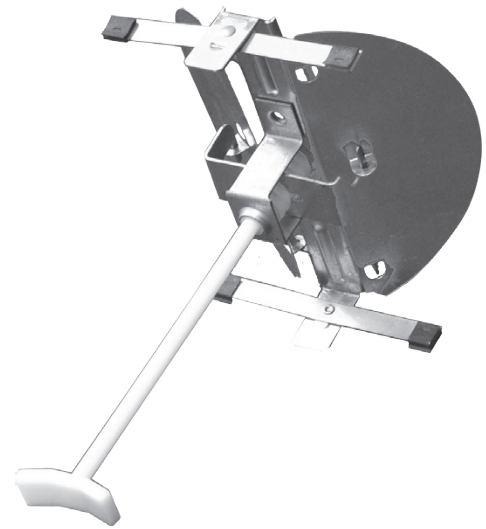


# Series 3700 Butterfly Damper



- For pre-fabricated or spin-in collars
- Galvanized steel construction
- S-clips included for use with round pipe
- Available sizes: 6", 7", 8", 9", 10", 12", 14"
- Removable T-bar handle included
- Made in the U.S.A.



## Dimensional Drawing (for 6" model)

