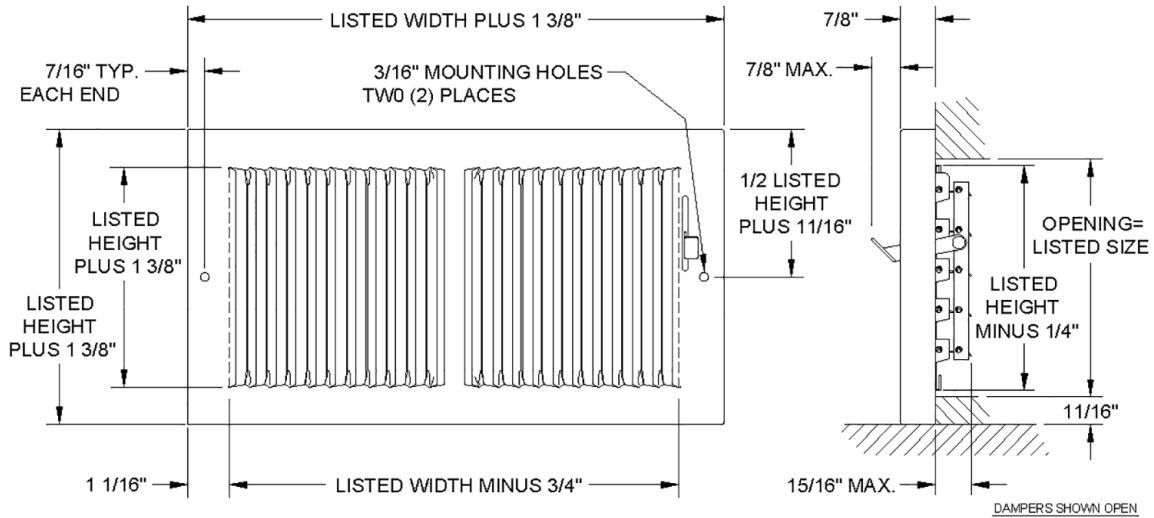




Continental Industries, Inc.
 100 West Windsor Avenue
 Elkhart, Indiana 46514
 Phone: 800.735.5272 • Fax: 574.262.2075
 Email: info@continentalindustries.com
 Web: www.continentalindustries.com

Submittal Drawing & Form



- | Description |
|---|
| <input type="checkbox"/> Lanced Face |
| <input type="checkbox"/> Multi-Shutter Damper |
| <input type="checkbox"/> 1/3" Spaced Fins |
| <input type="checkbox"/> 7/8" Extension |
| <input type="checkbox"/> White finish |

| Project Details | Submitted by: | B32 Series B32 |
|-----------------|---------------|-------------------|
| Job Title: | | |
| Location: | | |
| Architect: | | |
| Engineer: | | |
| Contractor: | | |
| Date: | | SD-B32-01 |