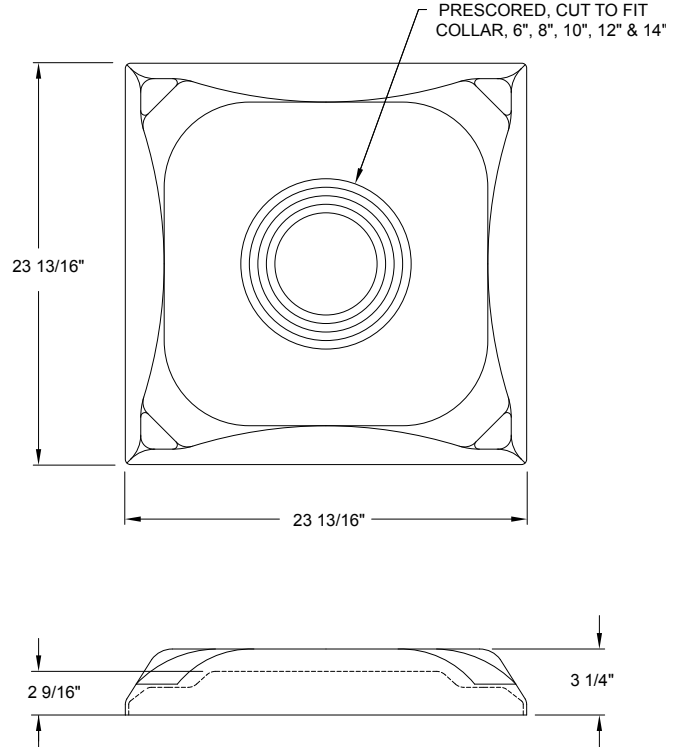
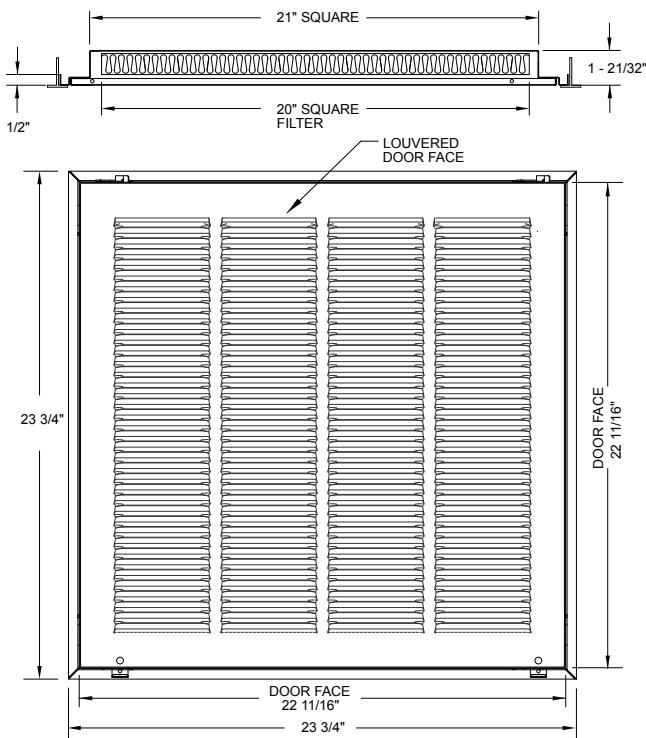




Continental Industries, Inc.  
 100 West Windsor Avenue  
 Elkhart, Indiana 46514  
 Phone: 800.735.5272 • Fax: 574.262.2075  
 Email: info@continentalindustries.com  
 Web: www.continentalindustries.com

# Submittal Drawing & Form



- | Description                                       |
|---|
| <input type="checkbox"/> Louvered Face, 1/2" Fins |
| <input type="checkbox"/> 1/2" Fins                |
| <input type="checkbox"/> R6 Fiberglass Plenum     |
| <input type="checkbox"/> White finish             |

Project Details	Submitted by:	T Series TL2106
Job Title: Location: Architect: Engineer: Contractor:	Date:	
		SD-TL2106-01