

Series AETBI

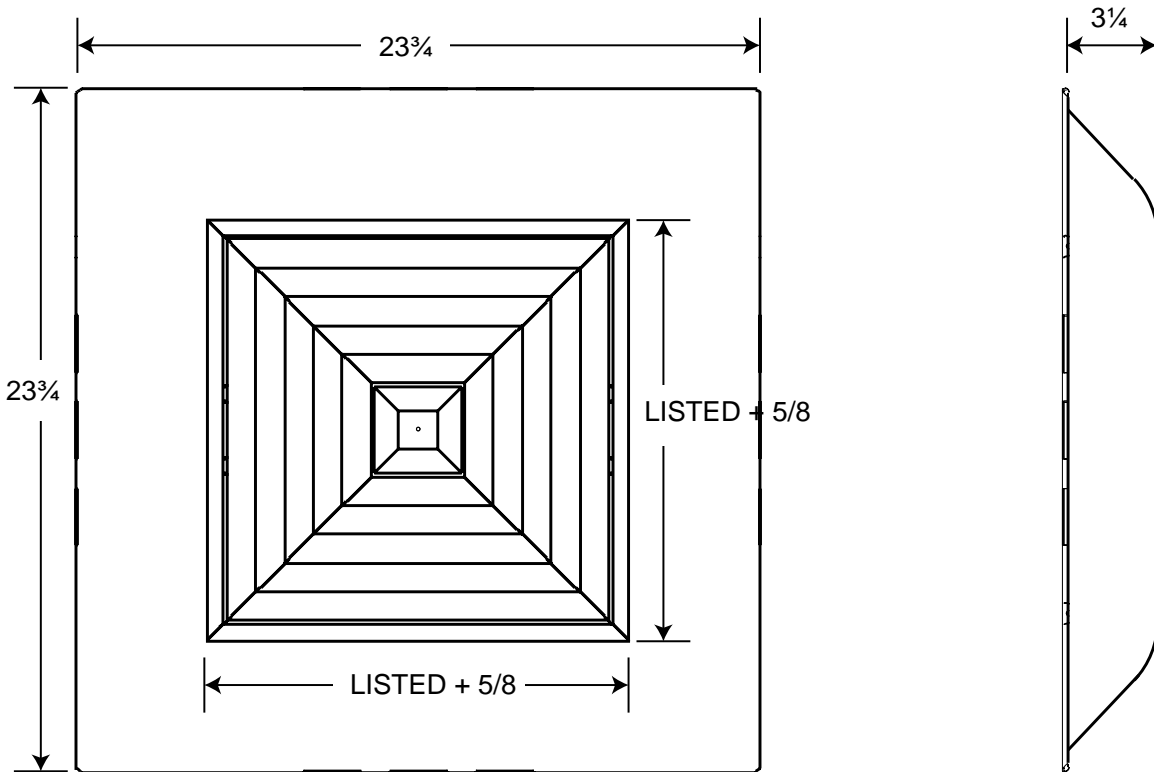
T-Bar Diffuser



- Flush Face
- Extruded **Aluminum** construction
- With 1 to 4-way AE Series diffuser
- Integrated R6 fiberglass plenum
- White finish
- Made in the U.S.A.



Dimensional Drawing



Performance Data, Series AETBI

Average Face Velocity	500	600	700	800	900	1000	1200	1400	1600	1800	2000
Pressure Loss	0.020	0.020	0.030	0.040	0.050	0.060	0.090	0.120	0.160	0.200	0.250
Cfm	310	375	440	500	565	625	750	875	1000	1125	1250
Throw	4-6	4-8	5-9	6-11	6-11	6-12	8-15	10-18	10-19	12-21	13-23
Test data for 15", 4-way Diffuser Ak .620											

Commercial
T-bar (lay-in)