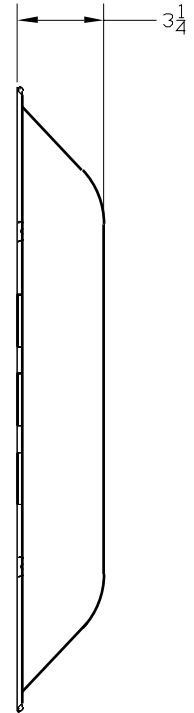
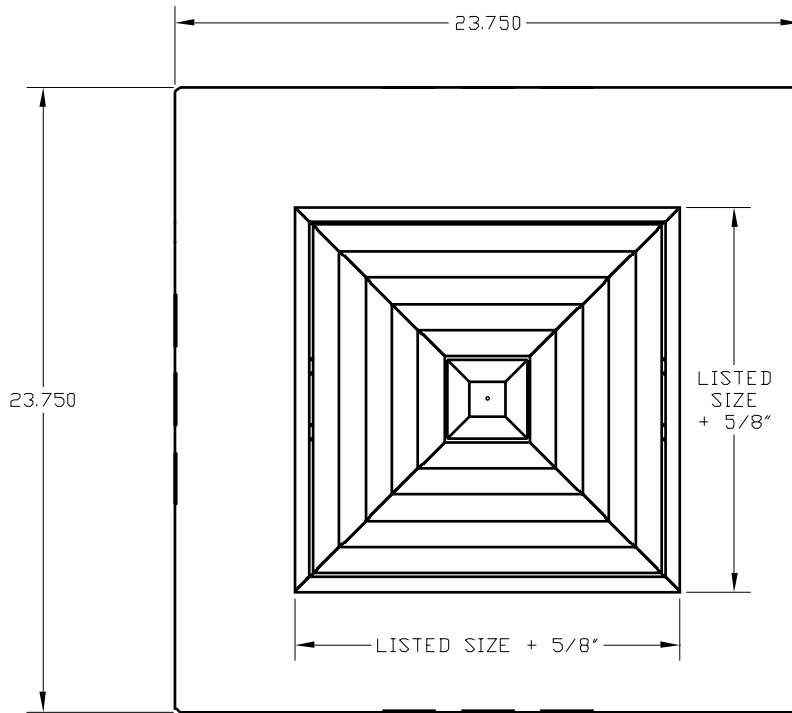




Continental Industries, Inc.
 100 West Windsor Avenue
 Elkhart, Indiana 46514
 Phone: 800.735.5272 • Fax: 574.262.2075
 Email: info@continentalindustries.com
 Web: www.continentalindustries.com

Submittal Drawing & Form



AETB-SERIES; T-BAR LAY-IN DIFFUSER
AE4GW15TBI SHOWN W/PLENUM, NO DAMPER

- Description**
- Flush face design
 - Extruded aluminum diffuser construction
 - Intergrated R6 plenum
 - High volume capacity
 - Electrocoat finish
 - Design, manufactured, and supported in the U.S.A.
 - Use Continental 5400 Series collar and 3900 Series Damper to complete installation

Project Details	Submitted by:	AETB Series Extruded Aluminum 4-way T-Bar Diffuser
Job Title:		
Location:		
Architect:		
Engineer:		
Contractor:	Date:	SD-AETB-01