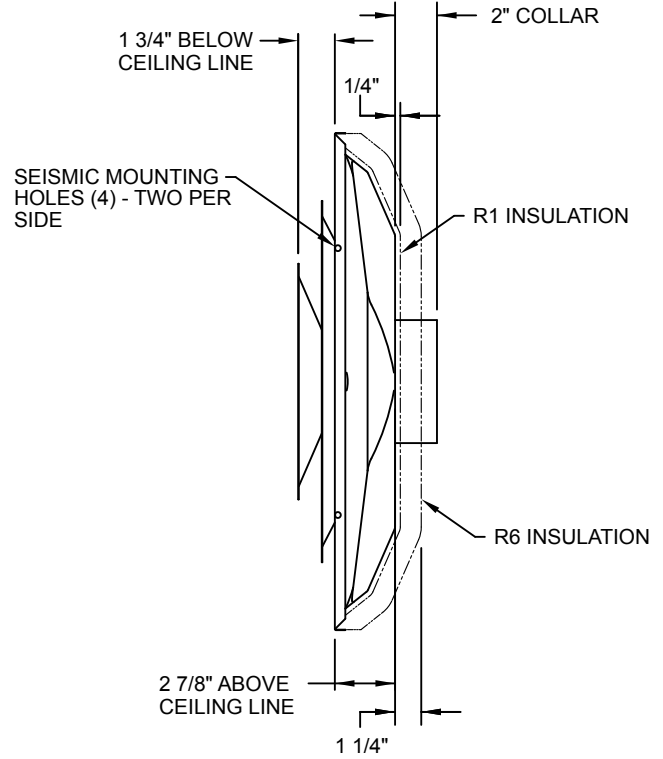
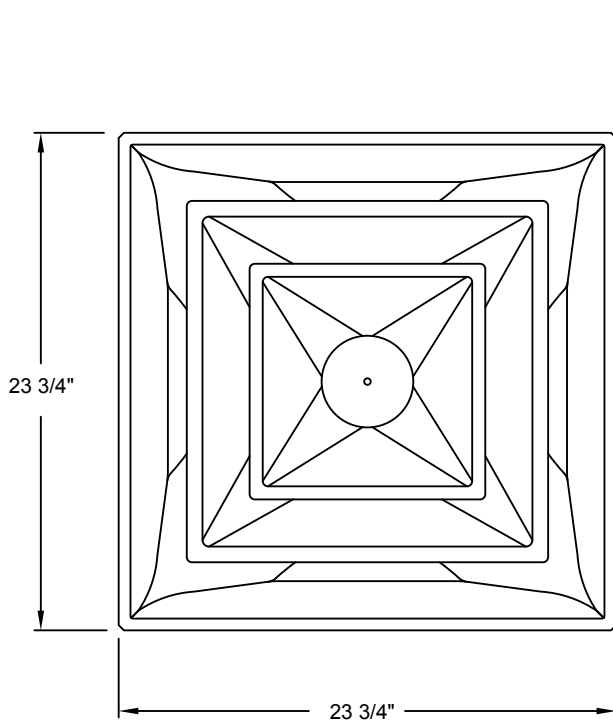




Continental Industries, Inc.
 100 West Windsor Avenue
 Elkhart, Indiana 46514
 Phone: 800.735.5272 • Fax: 574.262.2075
 Email: info@continentalindustries.com
 Web: www.continentalindustries.com

Submittal Drawing & Form



- | Description |
|--|
| <input type="checkbox"/> Aluminum Construction |
| <input type="checkbox"/> 2-Tier Diffusion |
| <input type="checkbox"/> 360° Pattern |
| <input type="checkbox"/> No Collar or Fixed 6", 8", 10", 12" or 14" collar |
| <input type="checkbox"/> R1 Insulation Blanket |
| <input type="checkbox"/> White finish |

Project Details	Submitted by:	AFPD Series T-Bar (Lay-in) Diffuser
Job Title:		
Location:		
Architect:		
Engineer:		
Contractor:		
Date:		SD-AFPD-01