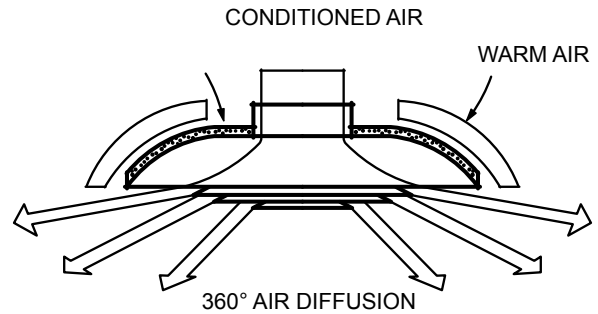


DHV SERIES, T-BAR (LAY-IN) DIFFUSER



Description

- Alternative Design to HVS Series
- 360° Diffusion
- 3-Cone, Drop-Down Design
- Steel Construction
- R1 Insulation
- Models with no Collar and Fixed Collar Models in Sizes: 6, 8, 10, 12, & 14-Inch Diameters
- Seismic Tabs
- White finish

Project Details	Submitted by:	DHV Series T-Bar (Lay-In) Diffuser
Job Title:		
Location:		
Architect:		
Engineer:		
Contractor:	Date:	SD-DHV-01